

---

LELAND

# Driftwood

## Specifications & Finishes

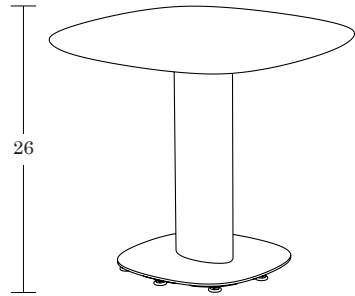


September 2024

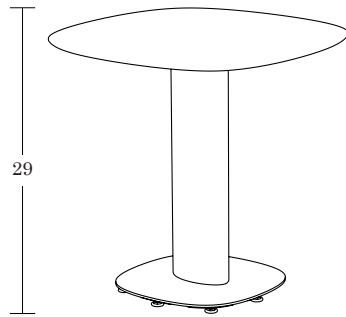
# Driftwood

## Pedestal Table - Small Base

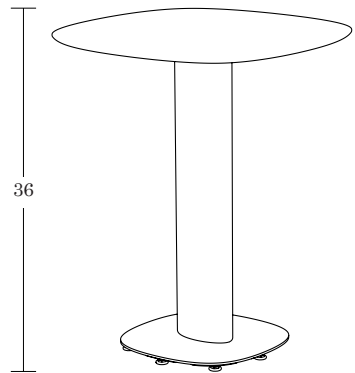
### SPECIFICATIONS



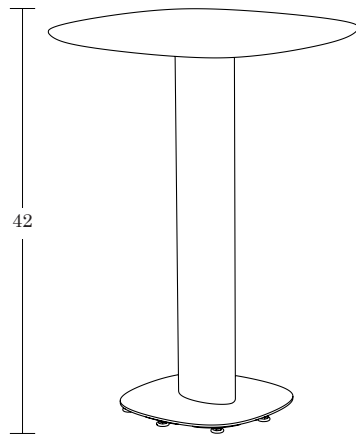
Small Squircle Base / DWSS



Small Squircle Base / DWSS



Small Squircle Base / DWSS



Small Squircle Base / DWSS

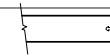
#### Top & Column Finish Options

Leland Wood Finishes [View transparent](#) / [View semi-transparent](#)

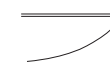
Standard Laminates from: Wilsonart®, Pionite®, Nevamar® [View here](#)

#### Edge Options [View here](#)

Vinyl Edge



Wood Edge



#### Aluminum Column & Base Finish Options [View here](#)

Powder Coat Finishes

#### Glide Options

Standard (Black nylon adjustable leveling)

#### Additional Options

Custom height capabilities

#### Top Shape Options (base plate shape will match top shape)



Circle  
30 Dia

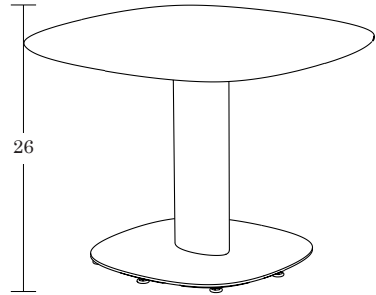


Squircle  
30 x 30

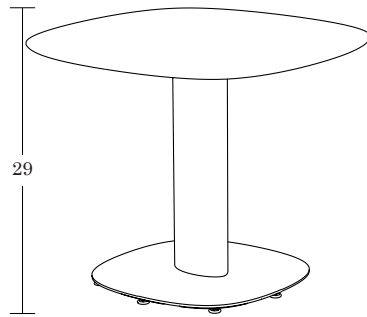
# Driftwood

## Pedestal Table - Medium Base

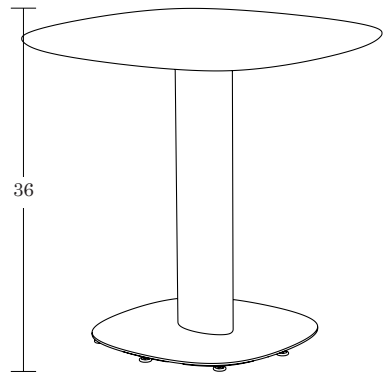
### SPECIFICATIONS



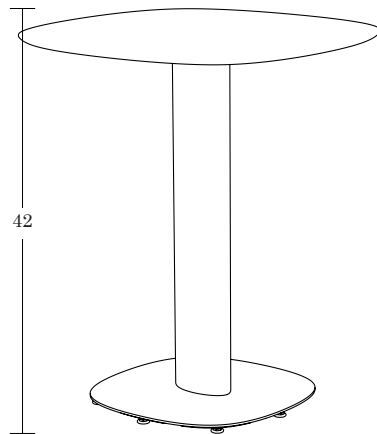
Medium Squire Base / DWMS



Medium Squire Base / DWMS



Medium Squire Base / DWMS



Medium Squire Base / DWMS

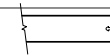
#### Top & Column Finish Options

Leland Wood Finishes [View transparent](#) / [View semi-transparent](#)

Standard Laminates from: Wilsonart®, Pionite®, Nevamar® [View here](#)

#### Edge Options [View here](#)

Vinyl Edge



Wood Edge



#### Aluminum Column & Base Finish Options [View here](#)

Powder Coat Finishes

#### Glide Options

Standard (Black nylon adjustable leveling)

#### Additional Options

Custom height capabilities

#### Top Shape Options (base plate shape will match top shape)



Circle  
36 Dia

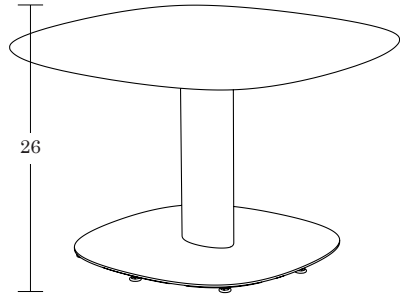


Squire  
36 x 36

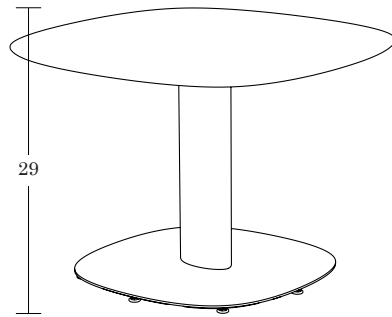
# Driftwood

## Pedestal Table - Large Base

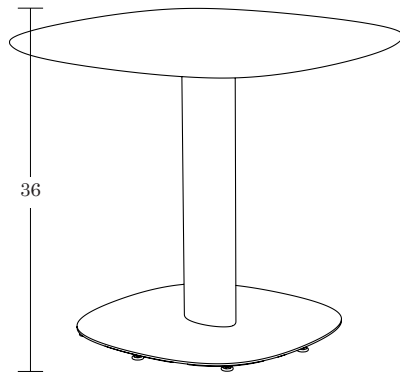
### SPECIFICATIONS



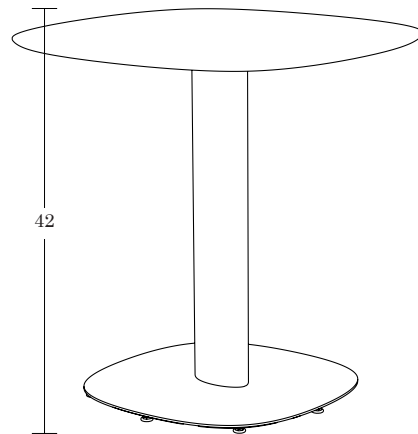
Large Squircle Base / DWLS



Large Squircle Base / DWLS



Large Squircle Base / DWLS



Large Squircle Base / DWLS

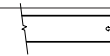
### Top & Column Finish Options

Leland Wood Finishes [View transparent](#) / [View semi-transparent](#)

Standard Laminates from: Wilsonart®, Pionite®, Nevamar® [View here](#)

### Edge Options [View here](#)

Vinyl Edge



Wood Edge



### Aluminum Column & Base Finish Options [View here](#)

Powder Coat Finishes

### Glide Options

Standard (Black nylon adjustable leveling)

### Additional Options

Custom height capabilities

### Top Shape Options (base plate shape will match top shape)



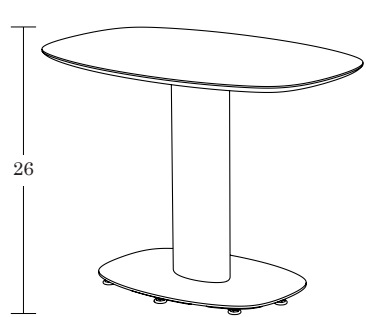
Circle  
42 Dia



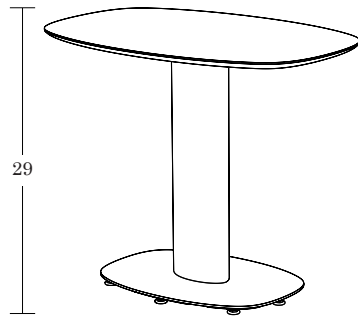
Squircle  
42 x 42

# Driftwood

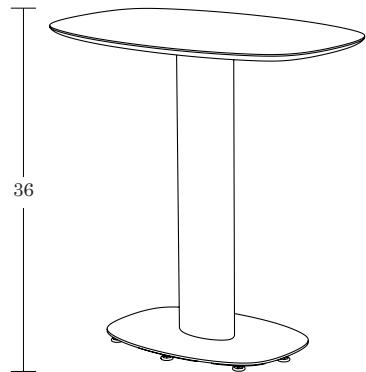
Pedestal Table - Soft Rectangle Base



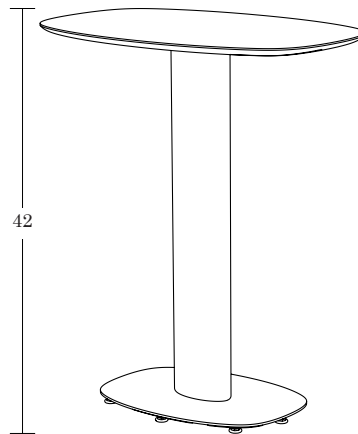
Small Rectangle Base / DWSR



Small Rectangle Base / DWSR



Small Rectangle Base / DWSR



Small Rectangle Base / DWSR

## SPECIFICATIONS

### Top & Column Finish Options

Leland Wood Finishes [View transparent](#) / [View semi-transparent](#)

Standard Laminates from: Wilsonart®, Pionite®, Nevamar® [View here](#)

### Edge Options [View here](#)

Vinyl Edge



Wood Edge



### Aluminum Column & Base Finish Options [View here](#)

Powder Coat Finishes

### Glide Options

Standard (Black nylon adjustable leveling)

### Additional Options

Custom height capabilities

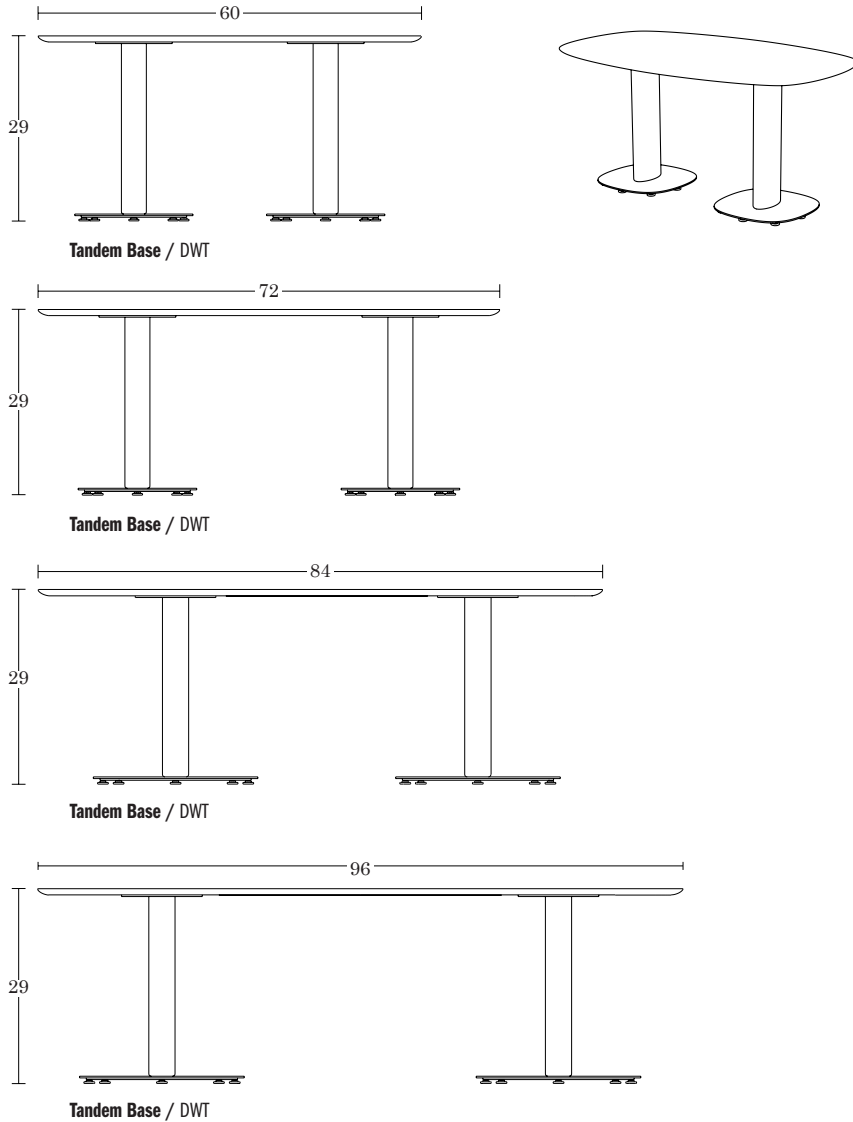
### Top Shape Options (base plate shape will match top shape)



Soft Rectangle  
24 x 36

# Driftwood

## Tandem Squircle Base Conference Table



### SPECIFICATIONS

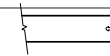
#### Top & Column Finish Options

Leland Wood Finishes [View transparent](#) / [View semi-transparent](#)

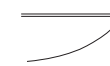
Standard Laminates from: Wilsonart®, Pionite®, Nevamar® [View here](#)

#### Edge Options [View here](#)

Vinyl Edge



Wood Edge



#### Aluminum Column & Base Finish Options [View here](#)

Powder Coat Finishes

#### Glide Options

Standard (Black nylon adjustable leveling)

#### Additional Options

Custom height capabilities

#### Top Size Options (base plate shape is squircle)



Soft Rectangle  
60 x 36



Soft Rectangle  
72 x 36



Soft Rectangle  
84 x 42



Soft Rectangle  
96 x 42

# Driftwood

Top and Column Wood Finish or Color

---

## OAK FINISHES

---



Morel  
(66M)



Weathered  
(68M)



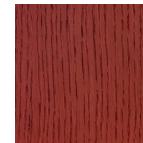
Dune  
(96M)



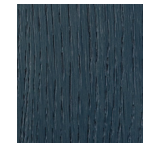
Trillium  
(70M)



Evergreen  
(112M)



Sienna  
(113M)



Blue Sky  
(114)

---

## NATURAL VENEERS

---



Natural Walnut  
(08M)



Maple  
(11M)



Natural White Oak  
(12M)

**For SCS certified wood finishes, please refer to the following document: [SCS Certified Wood Finishes](#)**

Due to limitations of the color printing process these finish samples should be considered representative only. For larger finish samples, please contact Leland Customer Experience at (800) 859-7510.

## TRANSPARENT WOOD OPTIONS



Neutral  
(15M)



Medium  
(13M)



Classic  
Mahogany (21M)



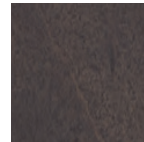
White Wash II  
(30M)



Espresso  
(23M)



Transparent  
Black (29M)



Graphite  
(25M)

**For SCS certified wood finishes, please refer to the following document: [SCS Certified Wood Finishes](#)**

Due to limitations of the color printing process these finish samples should be considered representative only. For larger finish samples, please contact Leland Customer Experience at (800) 859-7510.



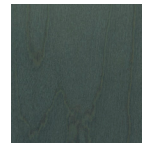
## SEMI- TRANSPARENT & OPAQUE



Oxford II  
(49M)  
100% Opaque



Dolphin II  
(50M)  
100% Opaque



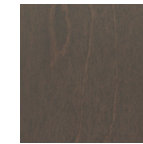
Blue Sky  
(100M)



Forest  
(101M)



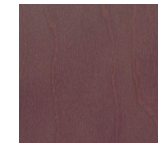
Gravel  
(102M)



Heather  
(103M)



Dawn  
(104M)



Grape  
(105M)



Sienna  
(106M)

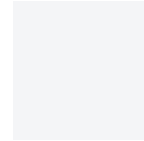


Lake Breeze  
(107M)

For SCS certified wood finishes, please refer to the following document: [SCS Certified Wood Finishes](#)

Due to limitations of the color printing process these finish samples should be considered representative only. For larger finish samples, please contact Leland Customer Experience at (800) 859-7510.

Here is a wide selection of most commonly used laminates.  
Don't see what you want? [Click here](#) for more options.



Designer White  
Wilsonart®  
(LWH)



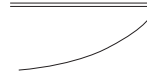
Platinum  
Wilsonart®  
(LGY)



Black Pionite  
Wilsonart®  
(LBK)

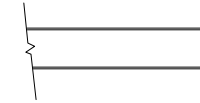
Due to limitations of the color printing process these finish samples should be considered representative only. For larger finish samples, please contact Leland Customer Experience at (800) 859-7510.

## TABLE EDGE DETAIL



(1" rolled beveled plywood)

## TABLE EDGE DETAIL

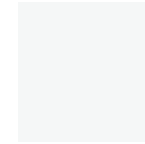


(1/16" flat PVC)

## WOOD FINISH OPTIONS

View transparent/View semi-transparent

## PVC COLOR OPTIONS



White  
(W)



Grey  
(G)



Black  
(B)

Due to limitations of the color printing process these finish samples should be considered representative only. For larger finish samples, please contact Leland Customer Experience at (800) 859-7510.

# Driftwood

LELAND

Aluminum Column & Base Plate Finish: Powder Coat



Mercury Textured  
(MRT)



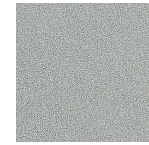
Mineral Textured  
(MNT)



Burnish Textured  
(BNT)



Foundry Textured  
(FNT)



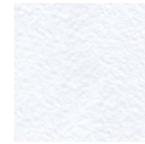
Sterling  
(ST)



Dolphin Textured  
(DLT)



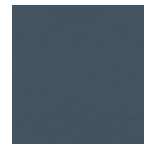
Oxford Textured  
(OXT)



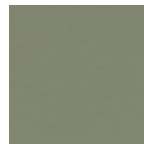
White Textured  
(WT)



Black Textured  
(BT)



Matte Blue Sky  
(MBS)



Matte Forest  
(MFO)



Matte Sienna  
(MSN)



Matte Willow  
(MWL)



Matte Fog  
(MFG)



Matte Fawn  
(MFN)



Matte Pine  
(MPN)



Matte Pistachio  
(MPS)

---

# LELAND

**5695 Eagle Drive, SE**  
**Grand Rapids,**  
**Michigan 49512**  
**616-975-9260**  
**[lelandfurniture.com](http://lelandfurniture.com)**