

---

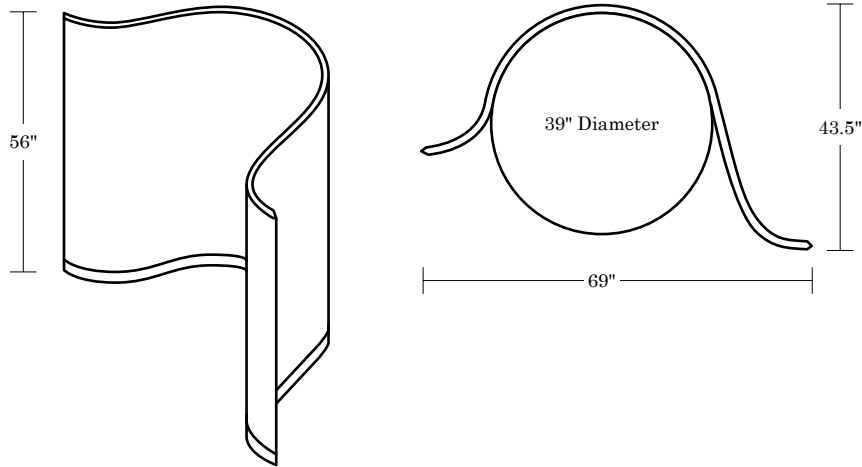
LELAND

# Bimini

## Specifications & Finishes

January 2024





## SPECIFICATIONS

### Table Surface [View here](#)

Natural Oak  
Natural Walnut  
Laminate

### Table Height Options

Desk Height: 29"  
Counter Height: 36"

### Panel Options [View here](#)

Standard Felt Finishes  
Custom Felt Finish\*

### Accessory Options [View here](#)

Power  
USB  
Grommet  
Monitor Mount

### Glide Options

Standard (poly)

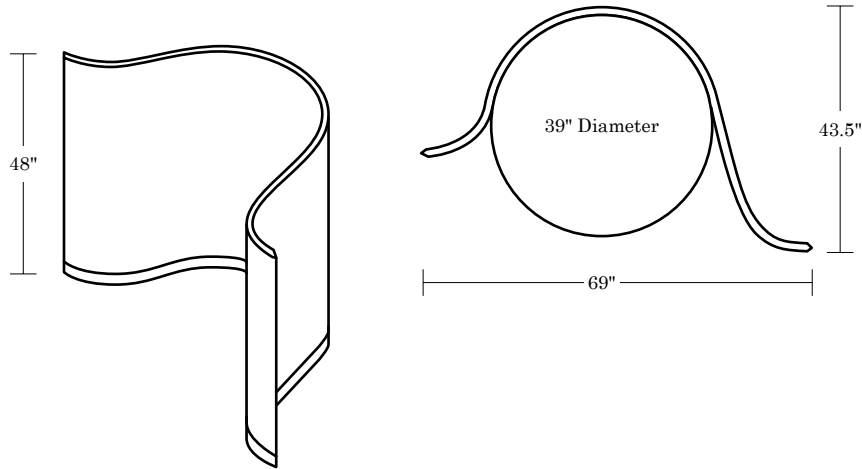
### Auxiliary Options [View here](#)

Coat Hook (attaches to exterior of panel)  
Bag Hook (under tabletop)  
Ganging Devices

### Features

ADA Compliant

## Low Panel



## SPECIFICATIONS

### Table Surface [View here](#)

Natural Oak  
Natural Walnut  
Laminate

### Table Height Options

Desk Height: 29"

### Panel Options [View here](#)

Standard Felt Finishes  
Custom Felt Finish\*

### Accessory Options [View here](#)

Power  
USB  
Grommet  
Monitor Mount

### Glide Options

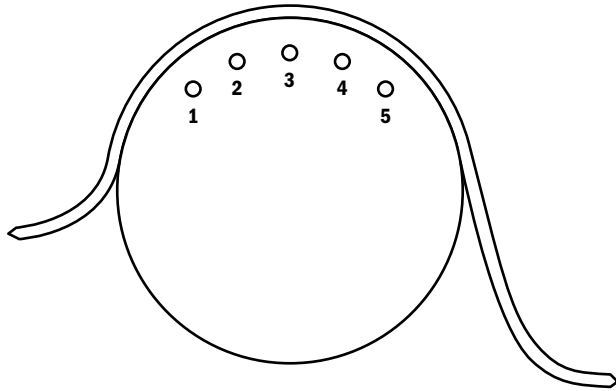
Standard (poly)

### Auxiliary Options [View here](#)

Coat Hook (attaches to exterior of panel)  
Bag Hook (under tabletop)  
Ganging Devices

### Features

ADA Compliant



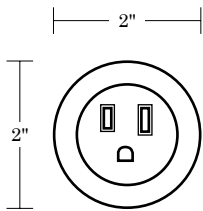
## SPECIFICATIONS

### Color Options

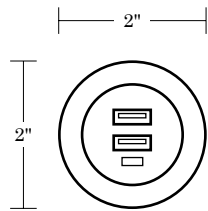
White (W)  
Black (B)

### Accessory Placement

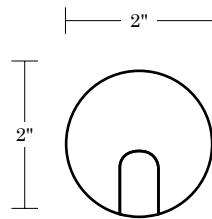
Please reference the pricing guide for more specific information.



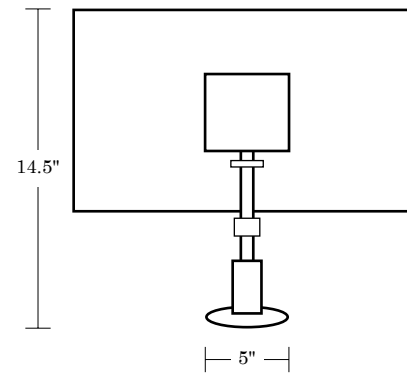
Pepper Power (PWR)



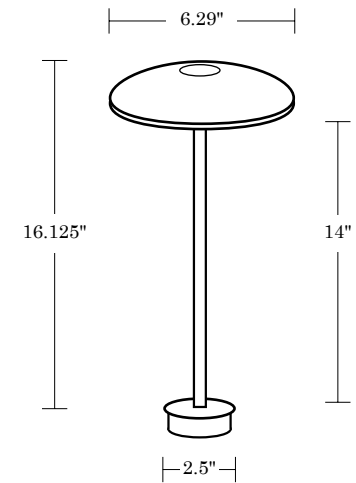
Salt USB (USB)



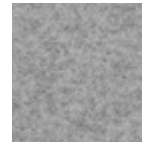
Grommet for  
Monitor Mount (MMG)



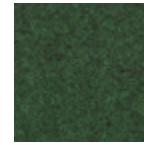
Monitor Mount (MMG)



Pippa Light (PPL)



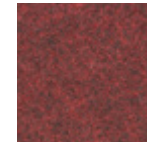
Abalone  
(PET01)



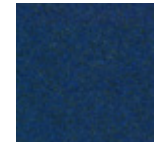
Shamrock  
(PET06)



Burnt Clay  
(PET07)



Merlot  
(PET08)



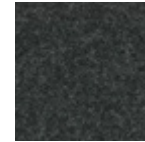
Royal  
(PET09)



Turmeric  
(PET11)



Laurel  
(PET12)

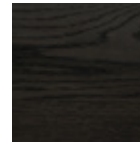


Charcoal  
(PET13)

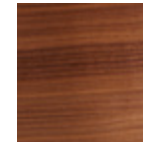
Due to limitations of the color printing process, these finish samples should be considered representative only. For larger finish samples, please contact Leland Customer Experience at 800.859.7510.



## WOOD & VENEER FINISHES



Oak Finishes  
Morel (66M)

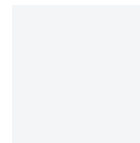


Veneers Natural  
Walnut Matte  
(08M)

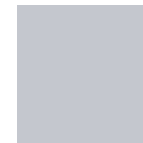


Veneers Natural  
White Oak (12M)

## STANDARD LAMINATES



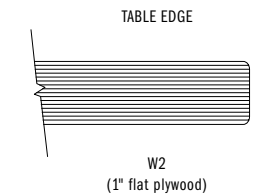
Designer White  
Wilsonart®  
(D354-60)



Platinum  
Wilsonart®  
(D315-60)



Black Pionite®  
(SE101)



**For SCS certified wood finishes, please refer to this document: [SCS Certified Wood Finishes](#).**

Due to limitations of the color printing process, these finish samples should be considered representative only.  
For larger finish samples, please contact Leland Customer Experience at 800.859.7510.

## Accessory & Auxiliary Options



Monitor Mount and Lighting Accessories



USB Charging Capabilities



Customizable Signage



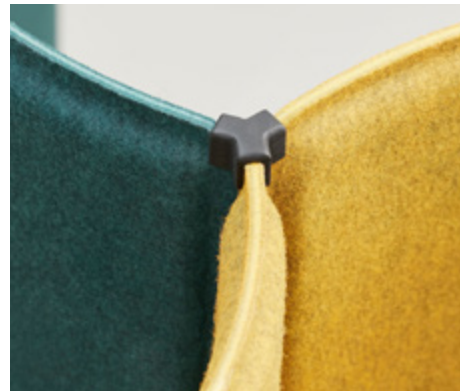
Coat Hook



Bag Hook



Linear Connector



Triple Connector



Interior Power Structure

---

# LELAND

**5695 Eagle Drive, SE**  
**Grand Rapids,**  
**Michigan 49512**  
**616-975-9260**  
**[lelandfurniture.com](http://lelandfurniture.com)**