

LELAND

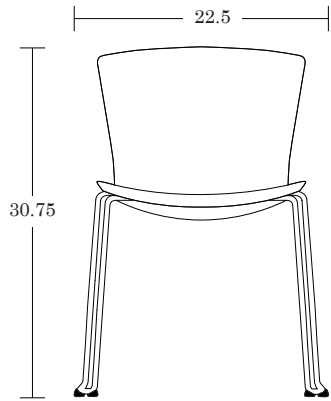
# Slam Chair

## Specifications & Finishes

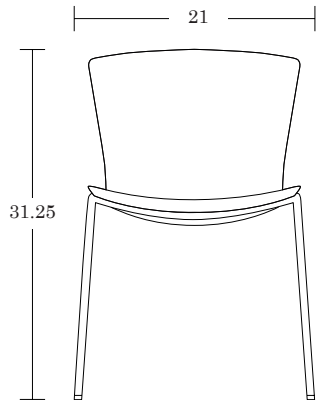
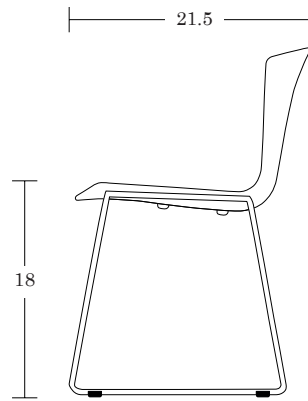


January 2024

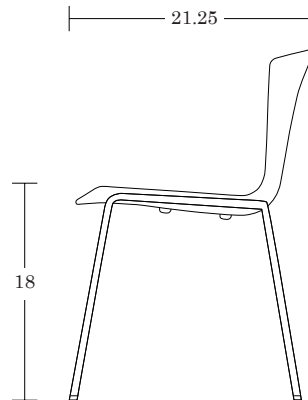
### SPECIFICATIONS



Sled Base Side / SLS



Four Leg Side / SL4



#### Shell Options

Polypropylene [View here](#)  
3D Beech or White Oak Veneer [View here](#)  
Upholstered Onlay or Fully Upholstered

#### Upholstery Options [View here](#)

(Fabric Approval Required)

Camira  
Carnegie  
Stinson  
Green Hides  
Maharam  
COM/COL

#### Frame Finishes [View here](#)

Powder Coat Frame Finishes  
Textured Powder Coat Frame Finishes  
Chrome

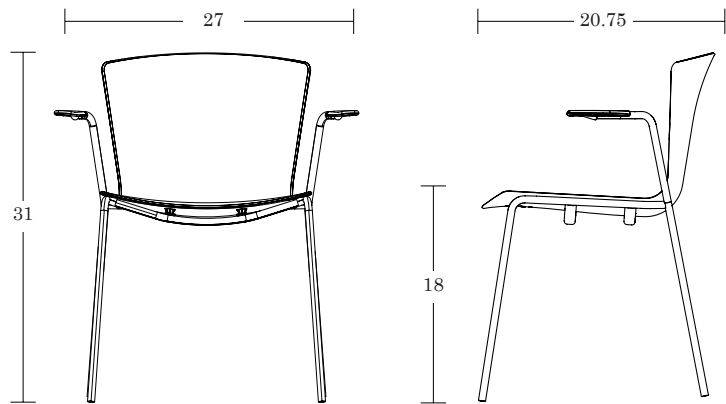
#### Glide Options

Sled Base - Standard (poly) or Optional Felt  
4-Leg Steel Base - Standard (nylon), Optional: Felt, Floor Saver™, Metal, or Rubber

#### Features

500 lb tested  
Four Leg Base stacks 8 high on floor; 10 high on dolly  
Flex polypropylene back for additional comfort  
3D Veneer option for highly refined aesthetic

## Stacking Arm Chair



Stacking 4-Leg Arm Chair /SL4A

## SPECIFICATIONS

### Shell Options

Polypropylene [View here](#)  
3D Beech or White Oak Veneer [View here](#)  
Upholstered Onlay or Fully Upholstered

### Upholstery Options [View here](#)

(Fabric Approval Required)

Camira  
Carnegie  
Stinson  
Green Hides  
Maharam  
COM/COL

### Frame Finishes [View here](#)

Powder Coat Frame Finishes  
Textured Powder Coat Frame Finishes  
Chrome

### Glide Options

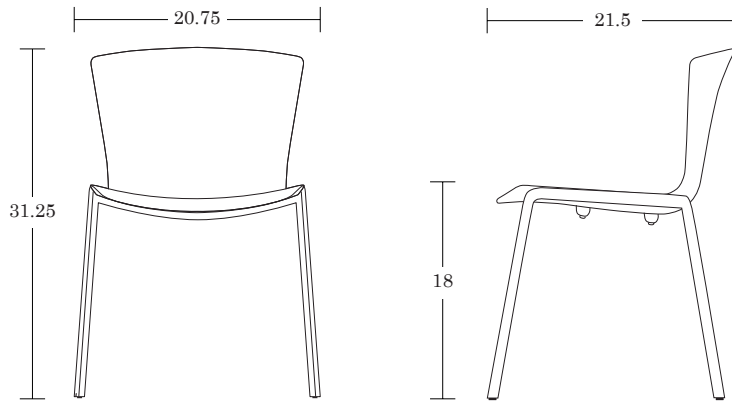
4-Leg Steel Base - Standard (nylon), Optional: Felt, Floor Saver™, Metal, or Rubber

### Features

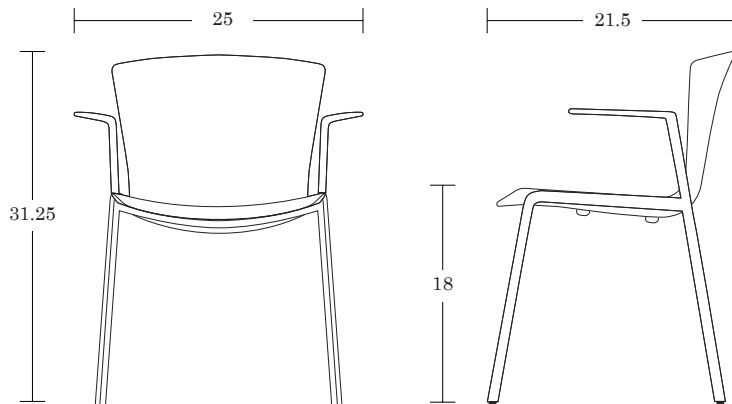
500 lb tested  
Four Leg Arm Chair stacks 8 high on floor; 10 high on dolly  
Flex polypropylene back for additional comfort  
3D Veneer option for highly refined aesthetic

## Aluminum Side and Arm Chair

### SPECIFICATIONS



Aluminum Base Side / SLA



Aluminum Base, Arm / SLAA

#### Shell Options

Polypropylene [View here](#)  
3D Beech or White Oak Veneer [View here](#)  
Upholstered Onlay or Fully Upholstered

#### Upholstery Options [View here](#)

(Fabric Approval Required)

Camira  
Carnegie  
Stinson  
Green Hides  
Maharam  
COM/COL

#### Frame Finishes [View here](#)

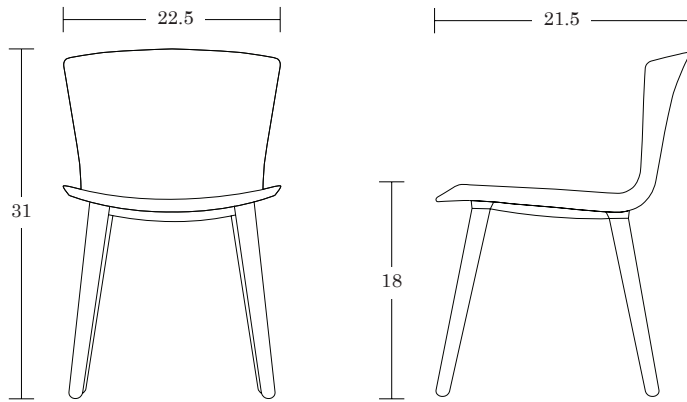
Powder Coat Frame Finishes  
Textured Powder Coat Frame Finishes  
Polished Aluminum

#### Glide Options

Nylon (standard)  
Felt or Rubber (optional)

#### Features

500 lb tested  
Flex polypropylene back for additional comfort  
3D Veneer option for highly refined aesthetic



Wood Leg Side / SLW and SLWO

## SPECIFICATIONS

### Shell Options

Polypropylene [View here](#)  
3D Beech or White Oak Veneer [View here](#)  
Upholstered Onlay or Fully Upholstered

### Upholstery Options [View here](#)

(Fabric Approval Required)

Camira  
Carnegie  
Stinson  
Green Hides  
Maharam  
COM/COL

### Leg Options [View here](#)

Wood Finishes on Beech or Oak

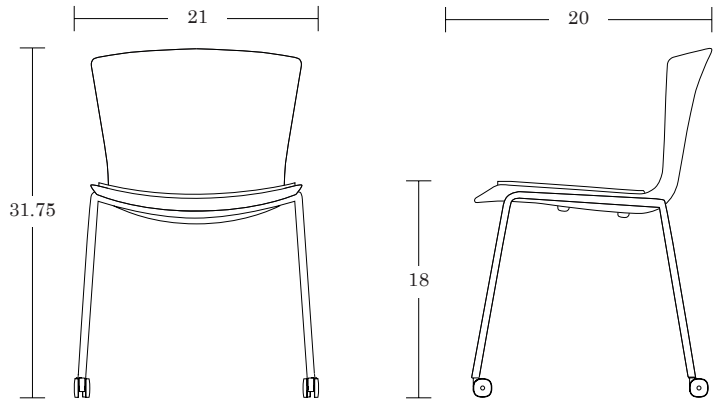
### Glide Options

Rubber (standard)  
Felt (optional)

### Features

Flex polypropylene back for additional comfort  
3D Veneer option for highly refined aesthetic  
Monolithic appearance when specifying beech shell and wood leg in same finish

## SPECIFICATIONS



Four Leg Mobile / SLM

### Shell Options

Polypropylene [View here](#)  
3D Beech or White Oak Veneer [View here](#)  
Upholstered Onlay or Fully Upholstered

### Upholstery Options [View here](#)

(Fabric Approval Required)

Camira  
Carnegie  
Stinson  
Green Hides  
Maharam  
COM/COL

### Frame Finishes [View here](#)

Powder Coat Frame Finishes  
Textured Powder Coat Frame Finishes  
Chrome

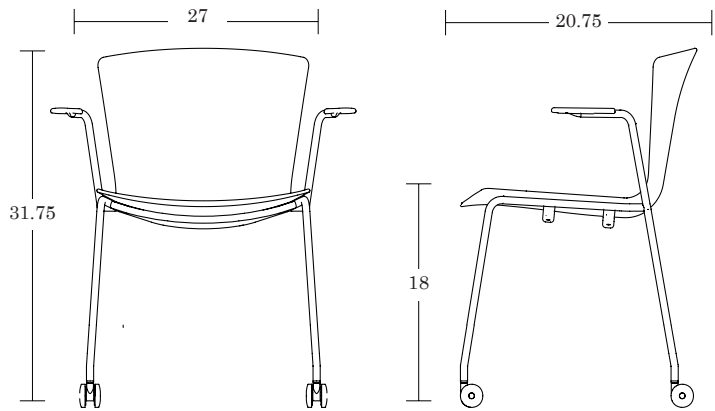
### Caster Options

Hard or Soft Floor Casters

### Features

Four Leg Base stacks 4 high on floor; 8 high on dolly  
Flex polypropylene back for additional comfort  
3D Veneer option for highly refined aesthetic

## Mobile Arm Chair



Mobile Arm Chair / SLMA

## SPECIFICATIONS

### Shell Options

Polypropylene [View here](#)  
3D Beech or White Oak Veneer [View here](#)  
Upholstered Onlay or Fully Upholstered

### Upholstery Options [View here](#)

(Fabric Approval Required)

Camira  
Carnegie  
Stinson  
Green Hides  
Maharam  
COM/COL

### Frame Finishes [View here](#)

Powder Coat Frame Finishes  
Textured Powder Coat Frame Finishes  
Chrome

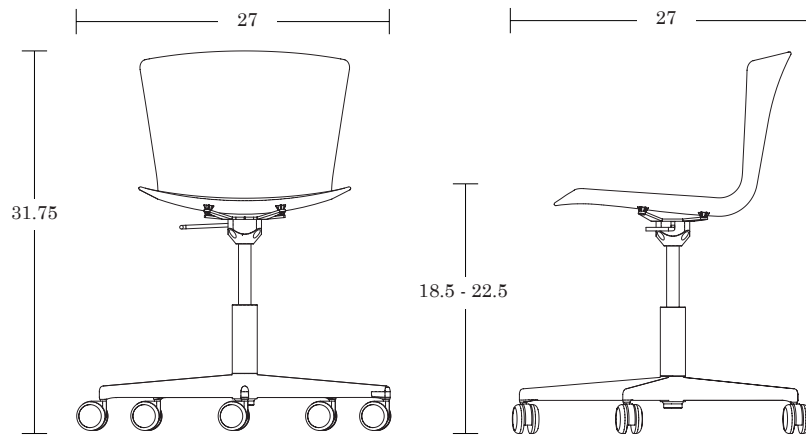
### Caster Options

Hard or Soft Floor Casters

### Features

Four Leg Base stacks 4 high on floor; 8 high on dolly  
Flex polypropylene back for additional comfort  
3D Veneer option for highly refined aesthetic

### SPECIFICATIONS



Task Base / SLTB

#### Shell Options

Polypropylene [View here](#)  
3D Beech or White Oak Veneer [View here](#)  
Upholstered Onlay or Fully Upholstered

#### Upholstery Options [View here](#)

(Fabric Approval Required)

Camira  
Carnegie  
Stinson  
Green Hides  
Maharam  
COM/COL

#### Frame Finishes [View here](#)

Powder Coat Frame Finishes  
Textured Powder Coat Frame Finishes

#### Caster Options

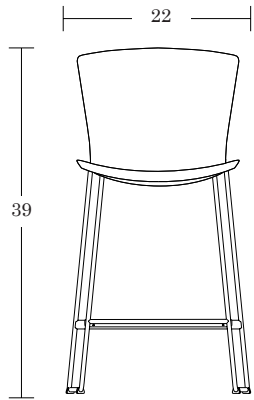
Hard or Soft Floor Casters

#### Features

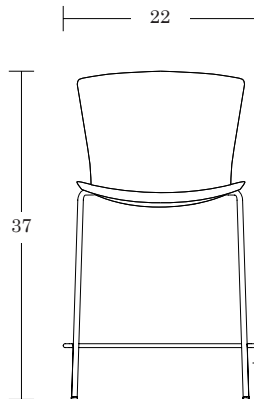
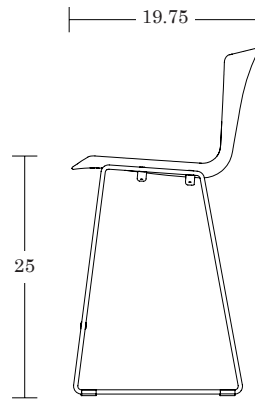
Adjustable seat height 18.5" - 22.5"  
Flex polypropylene back for additional comfort  
3D Veneer option for highly refined aesthetic



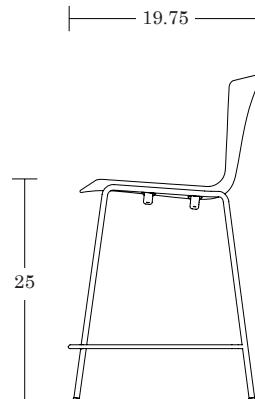
## SPECIFICATIONS



Sled Base Counter Chair / SLCS



Four Leg Counter Chair / SLC4



### Shell Options

Polypropylene [View here](#)  
 3D Beech or White Oak Veneer [View here](#)  
 Upholstered Onlay or Fully Upholstered

### Upholstery Options [View here](#)

(Fabric Approval Required)

Camira  
 Carnegie  
 Stinson  
 Green Hides  
 Maharam  
 COM/COL

### Frame Finishes [View here](#)

Powder Coat Frame Finishes  
 Textured Powder Coat Frame Finishes  
 Chrome

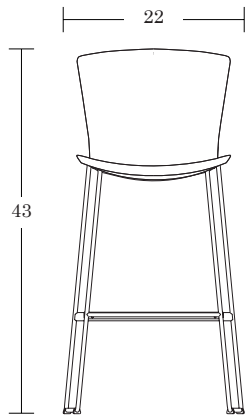
### Glide Options

Sled Base - Standard (poly) or Optional Felt  
 4-Leg Steel Base - Standard (nylon), Optional: Felt, Floor Saver™, Metal, or Rubber

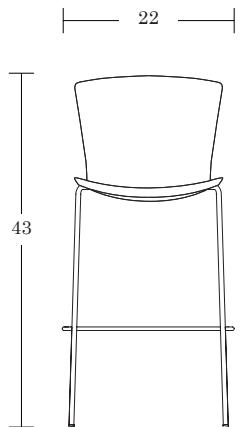
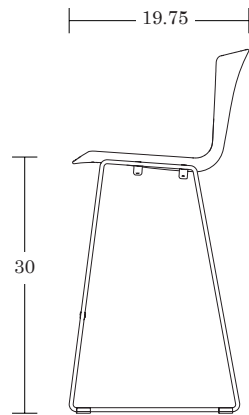
### Features

Flex polypropylene back for additional comfort  
 3D Veneer option for highly refined aesthetic

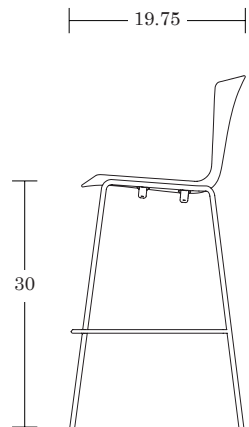
### SPECIFICATIONS



**Sled Base Bar Chair / SLBS**



**Four Leg Bar Chair / SLB4**



#### Shell Options

Polypropylene [View here](#)  
 3D Beech or White Oak Veneer [View here](#)  
 Upholstered Onlay or Fully Upholstered

#### Upholstery Options [View here](#)

**(Fabric Approval Required)**

Camira  
 Carnegie  
 Stinson  
 Green Hides  
 Maharam  
 COM/COL

#### Frame Finishes [View here](#)

Powder Coat Frame Finishes  
 Textured Powder Coat Frame Finishes  
 Chrome

#### Glide Options

Sled Base - Standard (poly) or Optional Felt  
 4-Leg Steel Base - Standard (nylon), Optional: Felt, Floor Saver™, Metal, or Rubber

#### Features

Flex polypropylene back for additional comfort  
 3D Veneer option for highly refined aesthetic

# Slam

Polypropylene

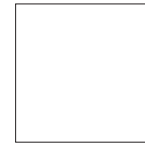
LELAND



Fawn  
(FW)



Black  
(BK)



White  
(WT)



Dolphin  
(DL)



Oxford  
(OX)



Blue Sky  
(BS)



Fog  
(FG)



Forest  
(FO)



Pine  
(PN)



Pistachio  
(PS)

[Quick Links /](#)

[View Side Chair, Sled and 4 Leg Base Chair](#)

[View Side & Arm Chair, Aluminum Base Chair](#)

[View Wood Leg Chair](#)

[View Mobile Chair](#)

[View Task Chair](#)

[View Counter Chair](#)

[View Bar Chair](#)

Due to limitations of the color printing process these finish samples should be considered representative only. For larger finish samples, please contact Leland Customer Experience at (800) 859-7510.

Wood Leg and Shell Stain Options; *Matte Sheen*



## TRANSPARENT NATURAL WOOD OPTIONS



Natural White  
Oak  
(12M)



Natural Beech  
(09M)

## TRANSPARENT WOOD STAIN OPTIONS - BEECH VENEER



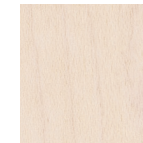
Neutral  
(15M)



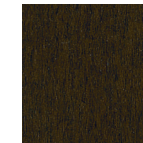
Medium  
(13M)



Classic  
Mahogany  
(21M)



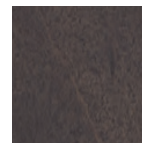
White Wash II  
(30M)



Espresso  
(23M)



Transparent  
Black  
(29M)



Graphite  
(25M)

Quick Links /

[View Side Chair, Sled and 4 Leg Base Chair](#)

[View Side & Arm Chair, Aluminum Base Chair](#)

[View Wood Leg Chair](#)

[View Mobile Chair](#)

[View Task Chair](#)

[View Counter Chair](#)

[View Bar Chair](#)

For SCS certified wood finishes, please refer to the following document: [SCS Certified Wood Finishes](#)

Due to limitations of the color printing process these finish samples should be considered representative only. For larger finish samples, please contact Leland Customer Experience at (800) 859-7510.

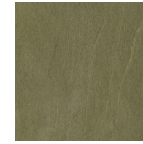
Wood Leg and Shell Stain Options; *Matte Sheen*



## SEMI-TRANSPARENT WOOD STAIN OPTIONS - BEECH VENEER



Blue Sky  
(100M)



Forest  
(101M)



Pistachio  
(110M)

## SEMI-TRANSPARENT WOOD STAIN OPTIONS - OAK VENEER



Pine  
(109M)



Fog  
(111M)

## SOLID PAINT WOOD OPTIONS - BEECH VENEER



Oxford II  
(49M)



Dolphin II  
(50M)

[Quick Links /](#)

[View Side Chair, Sled and 4 Leg Base Chair](#)

[View Side & Arm Chair, Aluminum Base Chair](#)

[View Wood Leg Chair](#)

[View Mobile Chair](#)

[View Task Chair](#)

[View Counter Chair](#)

[View Bar Chair](#)

For SCS certified wood finishes, please refer to the following document: [SCS Certified Wood Finishes](#)

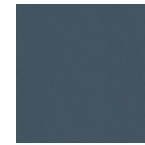
Due to limitations of the color printing process these finish samples should be considered representative only. For larger finish samples, please contact Leland Customer Experience at (800) 859-7510.



Matte Fawn  
(MFW)



Matte Fog  
(MFG)



Matte Blue Sky  
(MBS)



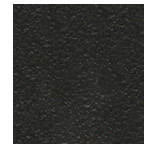
Matte Forest  
(MFO)



Matte Pine  
(MPN)



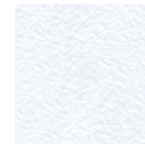
Matte Pistachio  
(MPS)



Black Textured  
(BT)



Oxford Textured  
(OXT)



White Textured  
(WT)



Dolphin Textured  
(DLT)

[Quick Links /](#)

[View Side Chair, Sled and 4 Leg Base Chair](#)

[View Side & Arm Chair, Aluminum Base Chair](#)

[View Wood Leg Chair](#)

[View Mobile Chair](#)

[View Task Chair](#)

[View Counter Chair](#)

[View Bar Chair](#)

Due to limitations of the color printing process these finish samples should be considered representative only. For larger finish samples, please contact Leland Customer Experience at (800) 859-7510.



Sterling  
(ST)



Mercury Textured  
(MRT)



Mineral Textured  
(MNT)



Burnish Textured  
(BNT)



Foundry Textured  
(FNT)



Chrome  
(C)

\*excludes Task chair and aluminum base models



Polished  
Aluminum  
(P)

\*only available for Aluminum Base and Task Base models

[Quick Links /](#)

[View Side Chair, Sled and 4 Leg Base Chair](#)

[View Side & Arm Chair, Aluminum Base Chair](#)

[View Wood Leg Chair](#)

[View Mobile Chair](#)

[View Task Chair](#)

[View Counter Chair](#)

[View Bar Chair](#)

---

# LELAND

**5695 Eagle Drive, SE**  
**Grand Rapids,**  
**Michigan 49512**  
**616-975-9260**  
**[lelandfurniture.com](http://lelandfurniture.com)**