

# Pluto

## January 2024 Price List



# Pluto

Table of Contents	PB2
Specification Information	PB3
Specification Example	PB4
Bench	PB5
Auxiliary Option	PB6

**Bench Model**

DESCRIPTION	CODE
Pluto	PT

**Upholstery Selection**

Please refer to Leland Textile Program which features textiles from the following partners:

- Camira
- Carnegie
- CF Stinson
- Green Hides
- Maharam
- Unika Vaev

The complete grade list can be found on our website or you can specify COM/COL. Due to the design of this product, it is recommended that all non pre-approved textile be tested for compatibility.

**Upholstery Requirements**

With a choice of textile combinations, Pluto encourages design creativity. Please note that requirements vary by combination. The graded price of the combined yardage will be calculated using the highest grade textile selected.

TEXTILE REQUIREMENTS	YARDAGE
One textile, entire bench:	3.25 yards
Two/Three textile combination	
Seat:	1 yard
Top:	1 yard
Side:	1.25 yards

**Plinth Finish: Powdercoat and Chrome**

DESCRIPTION	CODE
Sterling	ST
Warm Grey	WG
Cool Grey	CG
Black	B
White	W
Matte Mercury	MMR
Matte Mineral	MMN
Matte Burnish	MBN
Matte Foundry	MFN
Brushed Chrome	BC

**Auxiliary Options**

Floor mount must be specified at the time of the bench order.

DESCRIPTION	CODE
Floor mount	PTFM

**Glides**

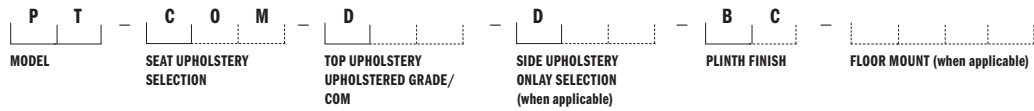
Pluto glides are poly.

**Shipment Detail**

200 pounds of weight ballast is shipped separately from the Pluto bench and is required to be installed at the final delivery location.

**Specifications required to create the product code**

- Model
- Seat Upholstery
- Top Upholstery
- Side Upholstery
- Plinth Finish
- Floor Mount (when applicable)



**MODEL**

Pluto (PT)

**SEAT UPHOLSTERY**

COM (COM)

**TOP UPHOLSTERY**

Grade D (D)

**SIDE UPHOLSTERY**

Grade D (D)

**PLINTH FINISH**

Brushed Chrome (BC)

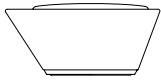
**FLOOR MOUNT**

When applicable, enter Pluto Floor Mount Code

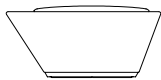


PLUTO BENCH  
Design: Simon Pengelly

PB5



Pluto Bench	MODEL	LIST PRICE/ GRADE	COM/COL	A	B	C	D	E	F	G	H	I	J	K	L	
Powder coat plinth	PT-PC	Powder Coat	\$1751	1985	2103	2220	2338	2455	2573	2691	2808	2926	3044	3161	3279	
W 34 D 37.75 H 16		COM REQUIREMENTS VARY BY COMBINATION SELECTED.														
		TEXTILE REQUIREMENTS:						YARDAGE								
		One textile, entire bench:						3.25 yards								
		Two/Three textile combination														
		Seat:						1 yard								
		Top:						1 yard								
		Side:						1.25 yards								



Pluto Bench	MODEL	LIST PRICE/ GRADE	COM/COL	A	B	C	D	E	F	G	H	I	J	K	L	
Brushed chrome plinth	PT-BC	Brushed Chrome	\$1930	2163	2282	2400	2517	2635	2753	2869	2988	3105	3223	3341	3458	
W 34 D 37.75 H 16		COM REQUIREMENTS VARY BY COMBINATION SELECTED.														
		TEXTILE REQUIREMENTS:						YARDAGE								
		One textile, entire bench:						3.25 yards								
		Two/Three textile combination														
		Seat:						1 yard								
		Top:						1 yard								
		Side:						1.25 yards								

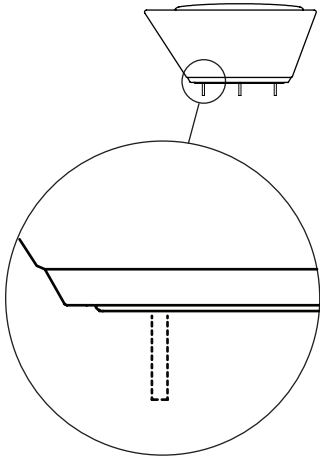
To specify:  
Please refer to pages 3-4 for  
complete specifying information.  
Specify all products by their  
product code.

Pricing Effective: January 2024

# PLUTO BENCH AUXILIARY OPTION

Design: Simon Pengelly

# PB6



Pluto Floor Mount	MODEL	FRAME FINISH	LIST PRICE
	PTFM	Powder Coat	\$180

Due to the variety of floor surfaces on which the Pluto Bench may be installed, floor mount fasteners are not supplied by Leland International. The Pluto Bench floor mount feature consists of three .5" thru holes designed to use .3125" or .375" threaded studs. Leland International recommends at least 2" of exposed thread length from the floor surface.

Responsibility of fastener choice is the customers.

Floor Mount must be specified at the time of purchasing.

The Floor Mount cannot be added later in the field.

To specify:

Please refer to pages 3-4 for complete specifying information.

Specify all products by their product code.

Pricing Effective: January 2024

---

**5695 Eagle Drive, SE  
Grand Rapids,  
Michigan 49512  
616-975-9260  
lelandfurniture.com**