

LELAND

Parfait II

Specifications & Finishes



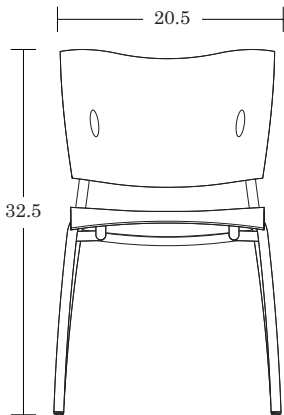
January 2024

Parfait II

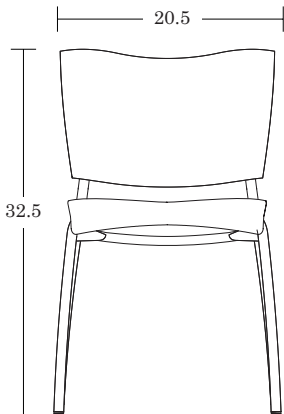
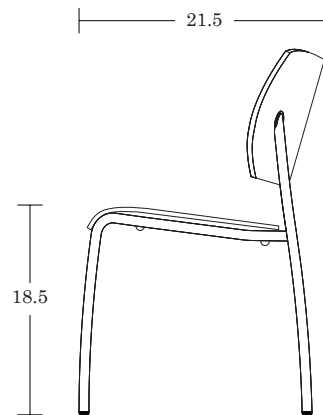
Side Chair

LELAND

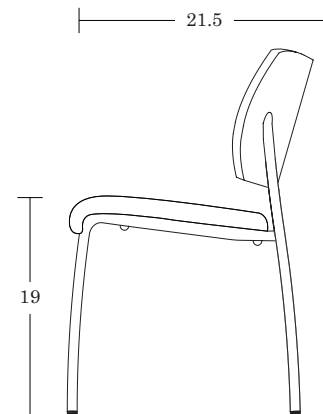
SPECIFICATIONS



Wood Seat, Wood Back / PSSWW



Upholstered Seat, Upholstered Back Onlay / PSSUWU



Veneer Options

Leland Wood Finishes [View transparent](#) / [View semi-transparent](#)

Upholstered Seat and Back Onlay Options [View here](#)

(Fabric Approval Required)

Camira
Carnegie
Stinson
Green Hides
Maharam
COM/COL

Frame Options [View standard](#)

Powder Coat Frame Finishes
Textured Powder Coat Frame Finishes

Glide Options

Standard (nylon)
Felt
Floor Saver™
Metal
Rubber

Additional Options

Stacking side chair model stacks 4 high on floor
PSSD Transport/Stacking Dolly handles up to 10 stacking side chairs in wood/wood.

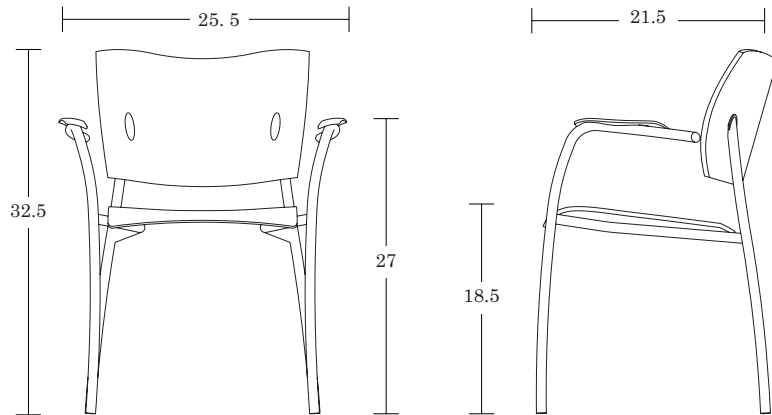
Features

Load tested to 500+ lbs

Parfait II

Arm Chair

LELAND



Wood Seat, Wood Back / PAWW

SPECIFICATIONS

Veneer Options

Leland Wood Finishes [View transparent](#) / [View semi-transparent](#)

Upholstered Seat and Back Onlay Options [View here](#)

(Fabric Approval Required)

Camira
Carnegie
Stinson
Green Hides
Maharam
COM/COL

Arm Cap Options

Black or Silver Polypropylene
Upholstered

Frame Options [View standard](#)

Powder Coat Frame Finishes
Textured Powder Coat Frame Finishes

Glide Options

Standard (nylon)
Felt
Floor Saver™
Metal
Rubber

Features

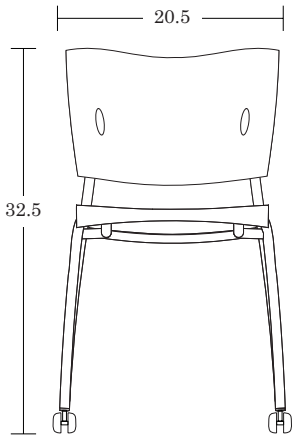
Load tested to 500+ lbs

Parfait II

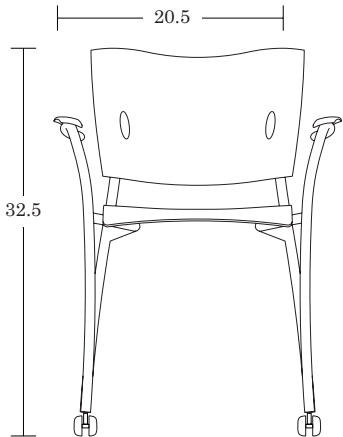
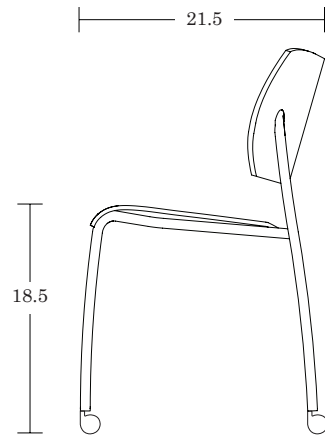
LELAND

Mobile

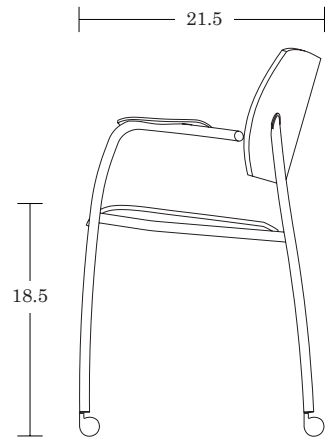
SPECIFICATIONS



Wood Seat, Wood Back / PMSWW



Upholstered Seat, Upholstered Back Onlay / PMAWW



Veneer Options

Leland Wood Finishes [View transparent](#) / [View semi-transparent](#)

Upholstered Seat and Back Onlay Options [View here](#)

(Fabric Approval Required)

Camira
Carnegie
Stinson
Green Hides
Maharam
COM/COL

Arm Cap Options

Black or Silver Polypropylene
Upholstered

Frame Options [View standard](#)

Powder Coat Frame Finishes
Textured Powder Coat Frame Finishes

Caster Options

Hard floor
Soft floor

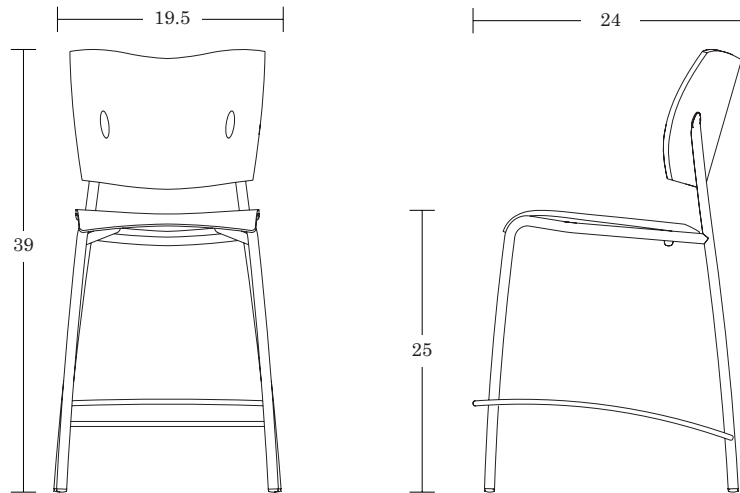
Additional Options

Armless Stacking model stacks 4 high on floor

Parfait II

Counter Chair

LELAND



Wood Seat, Wood Back / PCWW

SPECIFICATIONS

Veneer Options

Leland Wood Finishes [View transparent](#) / [View semi-transparent](#)

Upholstered Seat and Back Onlay Options [View here](#)

(Fabric Approval Required)

Camira
Carnegie
Stinson
Green Hides
Maharam
COM/COL

Frame Options [View standard](#)

Powder Coat Frame Finishes
Textured Powder Coat Frame Finishes

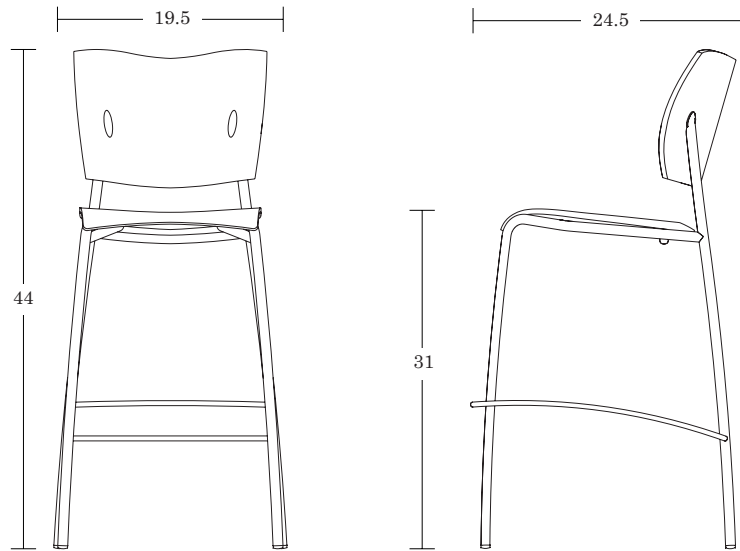
Glide Options

Standard (nylon)
Felt
Floor Saver™
Metal
Rubber

Parfait II

Bar Chair

LELAND



Wood Seat, Wood Back / PBWW

SPECIFICATIONS

Veneer Options

Leland Wood Finishes [View transparent](#) / [View semi-transparent](#)

Upholstered Seat and Back Onlay Options [View here](#)

(Fabric Approval Required)

Camira
Carnegie
Stinson
Green Hides
Maharam
COM/COL

Frame Options [View standard](#)

Powder Coat Frame Finishes
Textured Powder Coat Frame Finishes

Glide Options

Standard (nylon)
Felt
Floor Saver™
Metal
Rubber

Parfait II

LELAND

Transparent Wood Options; *Semi-Gloss Sheen*



Natural
(11M)



Neutral
(15M)



Medium
(13M)



Classic
Mahogany
(21M)



White Wash II
(30M)



Espresso
(23M)



Transparent
Black
(29M)



Graphite
(25M)

For SCS certified wood finishes, please refer to the following document: [SCS Certified Wood Finishes](#)

Due to limitations of the color printing process these finish samples should be considered representative only. For larger finish samples, please contact Leland Customer Experience at (800) 859-7510.

Quick Links /

View Side Chair

View Arm Chair

View Mobile

View Counter Chair

View Bar Chair

Parfait II

Wood Finish Options

LELAND



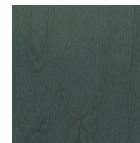
SEMI- TRANSPARENT & OPAQUE



Oxford II
(49M)
100% Opaque



Dolphin II
(50M)
100% Opaque



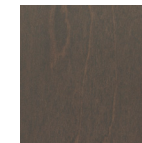
Blue Sky
(100M)



Forest
(101M)



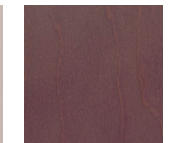
Gravel
(102M)



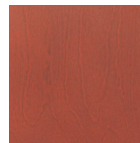
Heather
(103M)



Dawn
(104M)



Grape
(105M)



Sienna
(106M)



Lake Breeze
(107M)

Quick Links /

[View Side Chair](#)

[View Arm Chair](#)

[View Mobile](#)

[View Counter Chair](#)

[View Bar Chair](#)

For SCS certified wood finishes, please refer to the following document: [SCS Certified Wood Finishes](#)

Due to limitations of the color printing process these finish samples should be considered representative only. For larger finish samples, please contact Leland Customer Experience at (800) 859-7510.

Parfait II

Powder Coat

LELAND



Sterling
(ST)



Mercury Textured
(MRT)



Mineral Textured
(MNT)



Burnish Textured
(BNT)



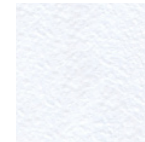
Foundry Textured
(FNT)



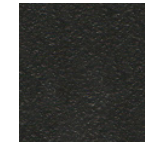
Dolphin Textured
(DLT)



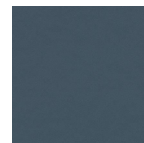
Oxford Textured
(OXT)



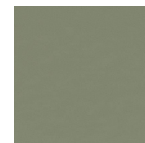
White Textured
(WT)



Black Textured
(BT)



Matte Blue Sky
(MBS)



Matte Forest
(MFO)



Matte Sienna
(MSN)



Matte Willow
(MWL)

[Quick Links /](#)

[View Side Chair](#)

[View Arm Chair](#)

[View Mobile](#)

[View Counter Chair](#)

[View Bar Chair](#)

Due to limitations of the color printing process these finish samples should be considered representative only. For larger finish samples, please contact Leland Customer Experience at (800) 859-7510.

LELAND

5695 Eagle Drive, SE
Grand Rapids,
Michigan 49512
616-975-9260
lelandfurniture.com