

LELAND

Marquette

Specifications & Finishes

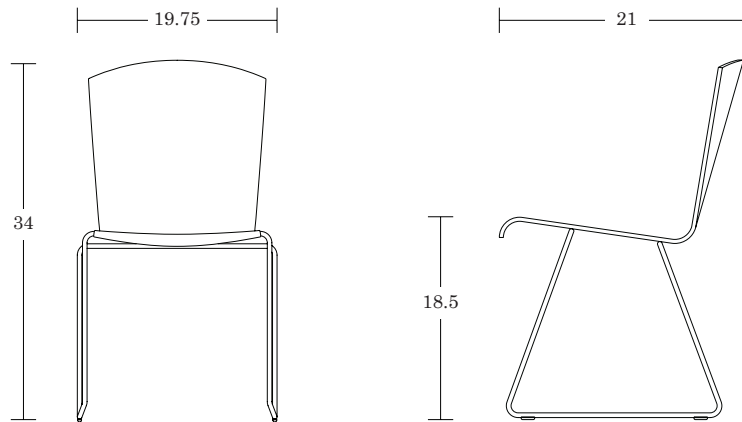


January 2024

Marquette

Side Chair

LELAND



Sled Base, Arc Shell /MQS-A

SPECIFICATIONS

Veneer Options

Leland Wood Finishes [View transparent](#) / [View semi-transparent](#)

Upholstered Seat Only Options [View here](#)

(Fabric Approval Required)

Camira
Carnegie
Stinson
Green Hides
Maharam
COM/COL

Back Options [View here](#)

Linear or Arc Shell Style
12 Cutouts
Plain Back
Custom Cutouts/Engravings

Base Options

Sled Base

Frame Finish Options [View standard](#)

Chrome
Powder Coat Frame Finishes
Textured Powder Coat Frame Finishes

Glide Options

Sled Base - Standard (Poly) or Optional Felt

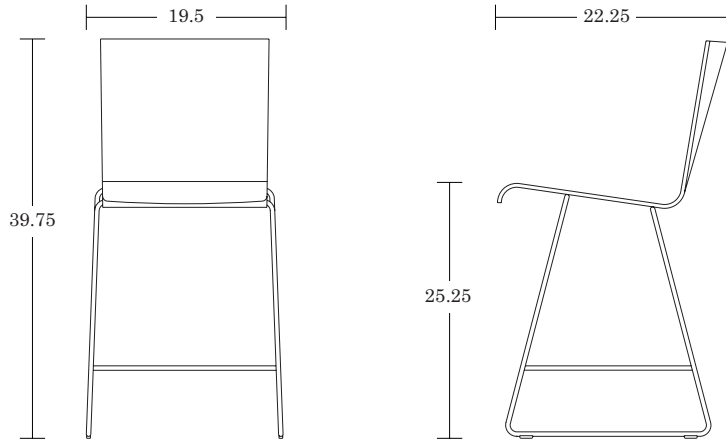
Features

Load Tested to 500+ lbs
Stacks 4 high on floor or 10 high on Marquette Transport/Stacking Dolly

Marquette

Counter Chair

LELAND



Sled Base, Linear Shell /MQC-L

SPECIFICATIONS

Veneer Options

Leland Wood Finishes [View transparent / View semi-transparent](#)

Upholstered Seat Only Options [View here](#)

(Fabric Approval Required)

Camira
Carnegie
Stinson
Green Hides
Maharam
COM/COL

Back Options [View here](#)

Linear or Arc Shell Style
12 Cutouts
Plain Back
Custom Cutouts/Engravings

Base Options

Sled Base

Base Finish Options [View standard](#)

Chrome
Powder Coat Frame Finishes
Textured Powder Coat Frame Finishes

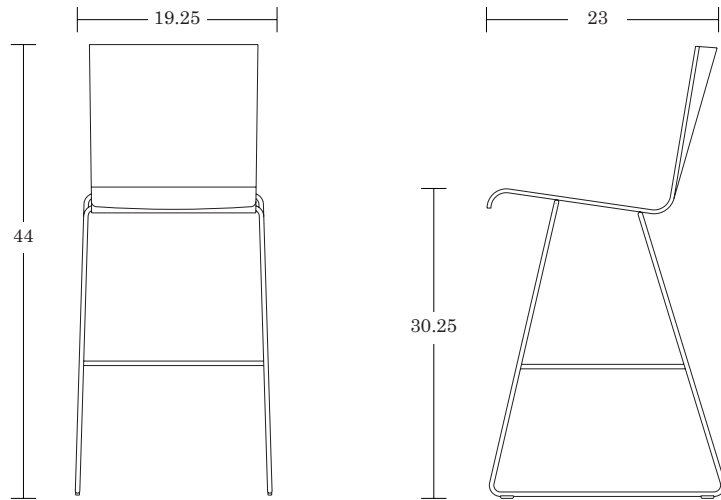
Glide Options

Sled Base - Standard (Poly) or Optional Felt

Marquette

Bar Chair

LELAND



Sled Base, Linear Shell /MQC-L

SPECIFICATIONS

Veneer Options

Leland Wood Finishes [View transparent](#) / [View semi-transparent](#)

Upholstered Seat Only Options [View here](#)

(Fabric Approval Required)

Camira
Carnegie
Stinson
Green Hides
Maharam
COM/COL

Back Options [View here](#)

Linear or Arc Shell Style
12 Cutouts
Plain Back
Custom Cutouts/Engravings

Base Options

Sled Base

Base Finish Options [View standard](#)

Chrome
Powder Coat Frame Finishes
Textured Powder Coat Frame Finishes

Glide Options

Sled Base - Standard (Poly) or Optional Felt

Marquette

LELAND

Transparent Wood Options; *Semi-Gloss Sheen*



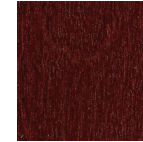
Natural
(11M)



Neutral
(15M)



Medium
(13M)



Classic
Mahogany
(21M)



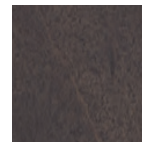
White Wash II
(30M)



Espresso
(23M)



Transparent
Black
(29M)



Graphite
(25M)

For SCS certified wood finishes, please refer to the following document: [SCS Certified Wood Finishes](#)

Due to limitations of the color printing process these finish samples should be considered representative only. For larger finish samples, please contact Leland Customer Experience at (800) 859-7510.

- Quick Links /
- [View Side Chair](#)
- [View Counter Chair](#)
- [View Bar Chair](#)

Marquette

Wood Finish Options

LELAND



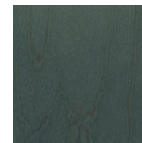
SEMI- TRANSPARENT & OPAQUE



Oxford II
(49M)
100% Opaque



Dolphin II
(50M)
100% Opaque



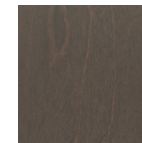
Blue Sky
(100M)



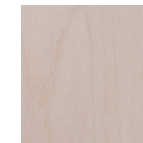
Forest
(101M)



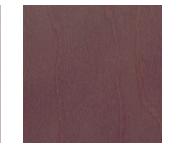
Gravel
(102M)



Heather
(103M)



Dawn
(104M)



Grape
(105M)



Sienna
(106M)



Lake Breeze
(107M)



Ice Blue
(47M)



Limelight
(33M)

Quick Links /

[View Side Chair](#)

[View Counter Chair](#)

[View Bar Chair](#)

For SCS certified wood finishes, please refer to the following document: [SCS Certified Wood Finishes](#)

Due to limitations of the color printing process these finish samples should be considered representative only. For larger finish samples, please contact Leland Customer Experience at (800) 859-7510.

Marquette

ART OPTIONS Back & Shell

LELAND



Linear cutout / CODE: L



Arc cutout / CODE: A

LINEAR CUT OUTS

| | CODE |
|----------------|------|
| Plain Back | 1 |
| Circle | 2 |
| Diamond | 4 |
| Grid | 5 |
| Perforated | 3 |
| Dots | 10 |
| Squares | 11 |
| Reeds | 13 |
| Custom Cut Out | 00 |

ARC CUT OUTS

| | CODE |
|----------------|------|
| Plain Back | 1 |
| Circle | 2 |
| Diamond | 4 |
| Grid | 5 |
| Slotted | 6 |
| Dots | 10 |
| Reeds | 13 |
| Mosaic | 15 |
| Custom Cut Out | 00 |

Custom Cutouts/Engravings also available.

Quick Links /

[View Side Chair](#)

[View Counter Chair](#)

[View Bar Chair](#)

Marquette

Powder Coat

LELAND



Sterling
(ST)



Mercury Textured
(MRT)



Mineral Textured
(MNT)



Burnish Textured
(BNT)



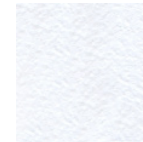
Foundry Textured
(FNT)



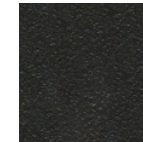
Dolphin Textured
(DLT)



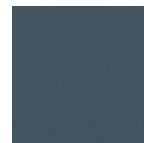
Oxford Textured
(OXT)



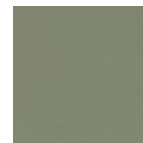
White Textured
(WT)



Black Textured
(BT)



Matte Blue Sky
(MBS)



Matte Forest
(MFO)



Matte Sienna
(MSN)



Matte Willow
(MWL)



Chrome
(C)

Quick Links /
[View Side Chair](#)
[View Counter Chair](#)
[View Bar Chair](#)

Due to limitations of the color printing process these finish samples should be considered representative only. For larger finish samples, please contact Leland Customer Experience at (800) 859-7510.

LELAND

5695 Eagle Drive, SE
Grand Rapids,
Michigan 49512
616-975-9260
lelandfurniture.com