

LELAND

Gemma Occasional Tables

Specifications
& Finishes



January 2024

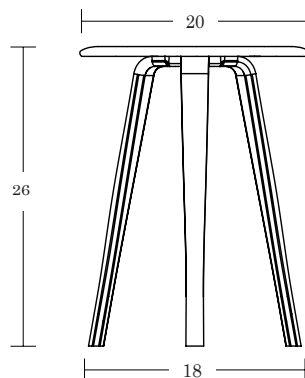
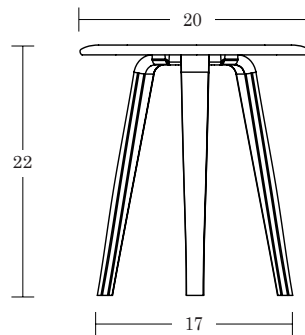
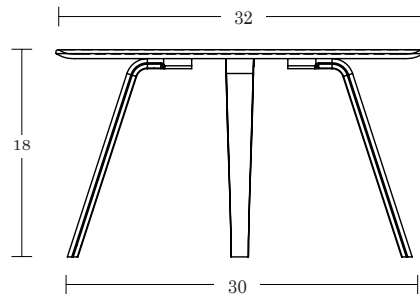


Gemma Occasional Tables

LELAND

Wood Base Table

SPECIFICATIONS



Top & Base Finish Options [View here](#)

Leland Wood Finishes on Birch (20" DIA Tops Only) [View here](#)

Premium Oak [View here](#)

Premium Walnut [View here](#)

Edges

20" DIA Top, Textured Paint, Waterfall Edge,

32" DIA Top, Up Edge

*all textured tops come with waterfall edge

Size Options

32" Round, 15" High

32" Round, 18" High

20" Round, 22" High

20" Round, 26" High

Wood Base/ GETW

Customer Experience 800.859.7510 lelandfurniture.com

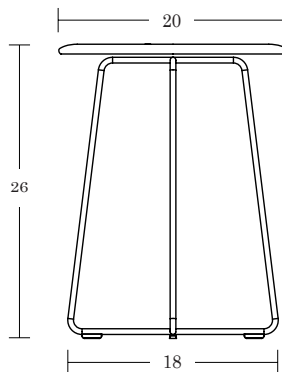
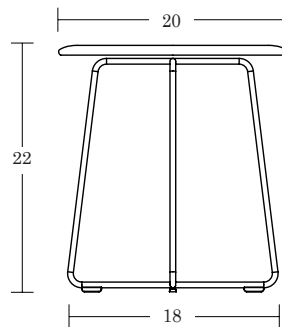
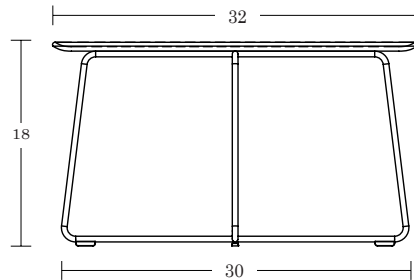
January 2024

Gemma Occasional Tables

LELAND

Sled Base Table

SPECIFICATIONS



Top Finish Options [View here](#)

Leland Wood Finishes on Birch (20" DIA Tops Only) [View here](#)

Premium Oak [View here](#)

Premium Walnut [View here](#)

Black or White Textured Paint [View here](#)

Edges

20" DIA Top, Textured Paint, Waterfall Edge,

32" DIA Top, Up Edge

*all textured tops come with waterfall edge

Size Options

32" Round, 15" High

32" Round, 18" High

20" Round, 22" High

20" Round, 26" High

Base Finish Options [View here](#)

Powdercoat Finishes

Chrome

Sled Base / GETS

Customer Experience 800.859.7510 lelandfurniture.com

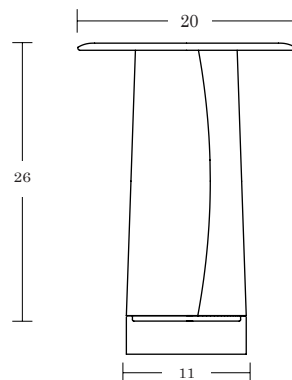
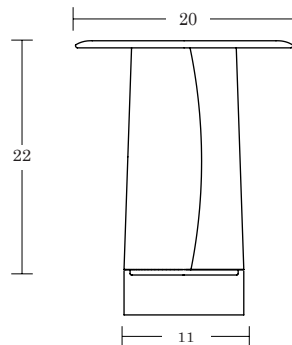
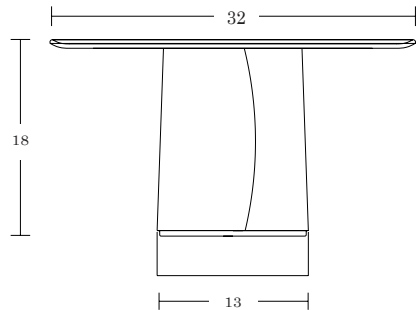
January 2024

Gemma Occasional Tables

LELAND

Totem Base Table

SPECIFICATIONS



Top Finish Options [View here](#)

Leland Wood Finishes on Birch (20" DIA Tops Only) [View here](#)

Premium Oak [View here](#)

Premium Walnut [View here](#)

Black or White Textured Paint [View here](#)

Edges

20" DIA Top, Textured Paints, Waterfall Edge

32" DIA Top, Up Edge

*all textured tops come with waterfall edge

Size Options

32" Round, 15" High

32" Round, 18" High

20" Round, 22" High

20" Round, 26" High

Base Finish Options [View here](#)

Powdercoat Finishes

Power Options [View here](#)

Dual USB (available on 22" and 26" height totem base)

Totem Base / GETT

Customer Experience 800.859.7510 lelandfurniture.com

January 2024

Gemma Occasional Tables

LELAND

Height Adjustable Totem Base Table

SPECIFICATIONS

Top Finish Options [View here](#)

Premium Oak [View here](#)

Premium Walnut [View here](#)

Black or White Textured Paint [View here](#)

Edge

32" DIA Top, Waterfall Edge

Size Options

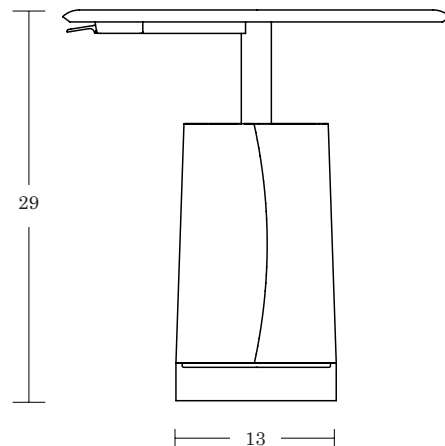
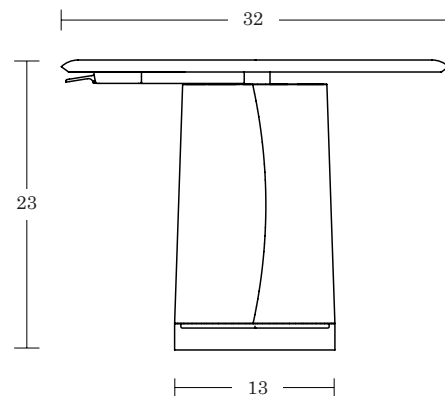
32" Round, Height Adjustable Range: 23" High to 29" High

Base Finish Options [View here](#)

Powdercoat Finishes

Additional Information

Table height range of 23"- 29" is controlled by depressing a small black lever beneath the surface that activates a pneumatic mechanism.



Height Adjustable Totem Base / GETS

Gemma Occasional Tables

LELAND

Wood Finishes on Birch



TRANSPARENT WOOD STAIN OPTIONS ON BIRCH VENEER



Natural
(11M)

White Wash II
(30M)

Transparent
Black
(29M)

Graphite
(25M)

SEMI TRANSPARENT WOOD STAIN OPTIONS ON BIRCH VENEER



Blue Sky
(100M)

Forest
(101M)

Sienna
(106M)

Willow
(108M)

[Quick Links /](#)

[View Wood Base Table](#)

[View Sled Base Table](#)

[View Totem Base Table](#)

[View Height-Adjustable Totem Base Table](#)

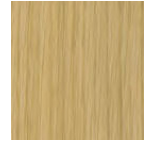
For SCS certified wood finishes, please refer to the following document: [SCS Certified Wood Finishes](#)

Due to limitations of the color printing process these finish samples should be considered representative only. For larger finish samples, please contact Leland Customer Experience at (800) 859-7510.

Gemma Occasional Tables

Premium Oak

LELAND



Natural White Oak
(12M)



Morel
(66M)

[Quick Links /](#)

[View Wood Base Table](#)

[View Sled Base Table](#)

[View Totem Base Table](#)

[View Height-Adjustable Totem Base Table](#)

For SCS certified wood finishes, please refer to the following document: [SCS Certified Wood Finishes](#)

Due to limitations of the color printing process these finish samples should be considered representative only. For larger finish samples, please contact Leland Customer Experience at (800) 859-7510.

Gemma Occasional Tables

Premium Walnut

LELAND



Natural Walnut
(08M)



Quick Links /

[View Wood Base Table](#)

[View Sled Base Table](#)

[View Totem Base Table](#)

[View Height-Adjustable Totem Base Table](#)

For SCS certified wood finishes, please refer to the following document: [SCS Certified Wood Finishes](#)

Due to limitations of the color printing process these finish samples should be considered representative only. For larger finish samples, please contact Leland Customer Experience at (800) 859-7510.

Gemma Occasional Tables

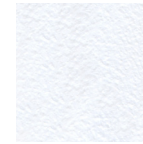
LELAND

Textured Paint

TEXTURED PAINT



Black Textured
(BT)



White Textured
(WT)



[Quick Links /](#)

[View Wood Base Table](#)

[View Sled Base Table](#)

[View Totem Base Table](#)

[View Height-Adjustable Totem Base Table](#)

Alternate laminates available upon request. Please contact Leland Customer Experience at (800) 859-7510.

Due to limitations of the color printing process these finish samples should be considered representative only. For larger finish samples, please contact Leland Customer Experience at (800) 859-7510.

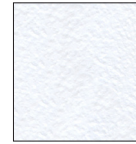
Gemma Occasional Tables

LELAND

Powder Coat



Black Textured
(BT)



White Textured
(WT)



Mercury Textured
(MRT)



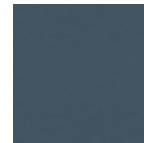
Mineral Textured
(MNT)



Burnish Textured
(BNT)



Foundry Textured
(FNT)



Matte Blue Sky
(MBS)



Matte Forest
(MFO)



Matte Sienna
(MSN)



Matte Willow
(MWL)



Chrome
(C)
*Sled Base Only

[Quick Links /](#)

[View Wood Base Table](#)

[View Sled Base Table](#)

[View Totem Base Table](#)

[View Height-Adjustable Totem Base Table](#)

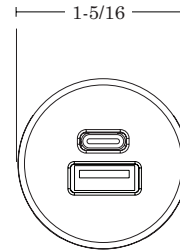
Due to limitations of the color printing process these finish samples should be considered representative only. For larger finish samples, please contact Leland Customer Experience at (800) 859-7510.

Gemma Occasional Tables

LELAND

Power Options

Dual USB (available on 22" and 26" height totem base)



USB
Black



USB
White



Braided Cord
Black



Braided Cord
White

* Cord color coordinates with USB color

[Quick Links /](#)

[View Wood Base Table](#)

[View Sled Base Table](#)

[View Totem Base Table](#)

[View Height-Adjustable Totem Base Table](#)

LELAND

5695 Eagle Drive, SE
Grand Rapids,
Michigan 49512
616-975-9260
lelandfurniture.com