

# Ebb Bench Fully Upholstered

## January 2025 Price List



# Ebb Fully Upholstered

|                               |      |
|-------------------------------|------|
| Table of Contents             | EB2  |
| Specification Information     | EB3  |
| Specification Example         | EB4  |
| Two Closed Ends               | EB5  |
| One Linking End               | EB6  |
| Two Linking Ends              | EB7  |
| Auxiliary Options             | EB8  |
| Hub Specification Information | EB9  |
| Hub Specification Example     | EB10 |
| Hub                           | EB11 |
| Hub Auxiliary Options         | EB12 |
| Pod Specification Information | EB13 |
| Pod Specification Example     | EB14 |
| Pod                           | EB15 |
| Pod Auxiliary Options         | EB16 |

**Bench Model**

| DESCRIPTION                                   | CODE   |
|---|--------|
| Ebb fully upholstered bench, two closed ends  | EBFUCC |
| Ebb fully upholstered bench, one linking end  | EBFUCL |
| Ebb fully upholstered bench, two linking ends | EBFULL |

**Bench Length**

| DESCRIPTION | CODE |
|-------------|------|
| 30" Long    | 30   |
| 48" Long    | 48   |
| 72" Long    | 72   |
| 96" Long    | 96   |
| 120" Long   | 120  |

**Fully Upholstered Selection**

Please refer to Leland Textile Program which features textiles and leathers from the following partners:

- Camira
- Carnegie
- CF Stinson
- Green Hides
- Maharam
- Unika Vaev

The complete grade list can be found at [www.lelandfurniture.com/resources](http://www.lelandfurniture.com/resources) or you can specify COM/COL. All non pre-approved textiles need be tested for compatibility.

Due to upholstery requirements, the Ebb product line can only be upholstered railroaded. Please consider when specifying textiles with a pattern. Untested COM or COL textiles will not be accepted.

**Leg Finish**

Ebb fully upholstered linking benches have black powder coat skirts.

| DESCRIPTION    | CODE |
|----------------|------|
| Sterling       | ST   |
| Warm Grey      | WG   |
| Cool Grey      | CG   |
| Black          | B    |
| White          | W    |
| Matte Mercury  | MMR  |
| Matte Mineral  | MMN  |
| Matte Burnish  | MBN  |
| Matte Foundry  | MFN  |
| Black Textured | BT   |
| White Textured | WT   |
| Chrome         | C    |

**Auxiliary Options**

Auxiliary Options must be specified at the time of the order.

**SKIRT:**

| DESCRIPTION                       | CODE |
|-----------------------------------|------|
| Ebb Fully Upholstered Bench Skirt | SK   |

**FLOOR MOUNT:**

| DESCRIPTION                             | CODE |
|---|------|
| Ebb Fully Upholstered Bench Floor Mount | FM   |

\*Floor Mount requires Skirt.

**Glides**

Ebb glides are nylon

**Product Specification**

Ebb layout is required at the quotation stage and order stage to ensure accurate product specifications. Contact Leland Customer Experience for CAD drawings.

## Specifications required to create the product code

- Model
- Bench Length
- Upholstery Selection
- Leg Finish
- Skirt (when applicable)
- Floor Mount (when applicable)



### MODEL

Ebb Fully Upholstered Bench  
Two Closed Ends (EBFUCC)

### BENCH LENGTH

72" (72)

### UPHOLSTERY SELECTION

Enter upholstery grade,  
COM or COL (COM)

### LEG FINISH

Specify Standard Powder Coat

### SKIRT

When Applicable, enter skirt code

### FLOOR MOUNT

When Applicable, enter Ebb floor  
mount code. Floor Mount requires Skirt.



# EBB FULLY UPHOLSTERED BENCH TWO CLOSED ENDS

Design: Mark Gabbartas

# EB5

Ebb Fully Upholstered Bench Two Closed Ends Skirt must be specified at the time of ordering. Skirt cannot be added later in the field.



## Ebb Fully Upholstered Bench

### Two Closed Ends

|          | MODEL     | LIST PRICE/GRADE | COM/COL | A    | B    | C    | D    | E    | F    | G    | H    | I    | J    | K    | L    |
|----------|-----------|------------------|---------|------|------|------|------|------|------|------|------|------|------|------|------|
| 30" Long | EBFUCC-30 |                  | \$2534  | 2750 | 2902 | 3054 | 3206 | 3358 | 3510 | 3662 | 3814 | 3966 | 4118 | 4270 | 4422 |

W 17.5 L 18.5

COM Yardage: 1.75 yards

For COL requirements please contact Leland Customer Care.



## Ebb Fully Upholstered Bench

### Two Closed Ends

|          | MODEL     | LIST PRICE/GRADE | COM/COL | A    | B    | C    | D    | E    | F    | G    | H    | I    | J    | K    | L    |
|----------|-----------|------------------|---------|------|------|------|------|------|------|------|------|------|------|------|------|
| 48" Long | EBFUCC-48 |                  | \$3338  | 3642 | 3851 | 4060 | 4269 | 4478 | 4687 | 4896 | 5105 | 5314 | 5523 | 5732 | 5941 |

W 17.5 L 18.5

COM Yardage: 2.75 yards

For COL requirements please contact Leland Customer Care.



## Ebb Fully Upholstered Bench

### Two Closed Ends

|          | MODEL     | LIST PRICE/GRADE | COM/COL | A    | B    | C    | D    | E    | F    | G    | H    | I    | J    | K    | L    |
|----------|-----------|------------------|---------|------|------|------|------|------|------|------|------|------|------|------|------|
| 72" Long | EBFUCC-72 |                  | \$4143  | 4521 | 4780 | 5039 | 5298 | 5557 | 5816 | 6075 | 6334 | 6593 | 6852 | 7111 | 7370 |

W 17.5 L 18.5

COM Yardage: 4.25 yards

For COL requirements please contact Leland Customer Care.



## Ebb Fully Upholstered Bench

### Two Closed Ends

|          | MODEL     | LIST PRICE/GRADE | COM/COL | A    | B    | C    | D    | E    | F    | G    | H    | I    | J    | K    | L    |
|----------|-----------|------------------|---------|------|------|------|------|------|------|------|------|------|------|------|------|
| 96" Long | EBFUCC-96 |                  | \$4944  | 5424 | 5751 | 6078 | 6405 | 6732 | 7059 | 7386 | 7713 | 8040 | 8367 | 8694 | 9021 |

W 17.5 L 18.5

COM Yardage: 5.5 yards

For COL requirements please contact Leland Customer Care.



## Ebb Fully Upholstered Bench

### Two Closed Ends

|           | MODEL      | LIST PRICE/GRADE | COM/COL | A    | B    | C    | D    | E    | F    | G    | H    | I    | J    | K     | L     |
|-----------|------------|------------------|---------|------|------|------|------|------|------|------|------|------|------|-------|-------|
| 120" Long | EBFUCC-120 |                  | \$5748  | 6326 | 6715 | 7104 | 7493 | 7882 | 8271 | 8660 | 9049 | 9438 | 9827 | 10216 | 10605 |

W 17.5 L 18.5

COM Yardage: 7 yards

For COL requirements please contact Leland Customer Care.

To specify:

Please refer to pages 3-4 for complete specifying information. Specify all products by their product code.

Pricing Effective: January 2025

# EBB FULLY UPHOLSTERED BENCH ONE LINKING END

Design: Mark Gabbartas

# EB6



## Ebb Fully Upholstered Bench One Linking End

|          | MODEL     | LIST PRICE/GRADE | COM/COL | A    | B    | C    | D    | E    | F    | G    | H    | I    | J    | K    | L    |
|----------|-----------|------------------|---------|------|------|------|------|------|------|------|------|------|------|------|------|
| 30" Long | EBFUCL-30 |                  | \$2579  | 2796 | 2950 | 3104 | 3258 | 3412 | 3566 | 3720 | 3874 | 4028 | 4182 | 4336 | 4490 |

W 17.5 L 18.5

COM Yardage: 1.75 yards

For COL requirements please contact Leland Customer Care.



## Ebb Fully Upholstered Bench One Linking End

|          | MODEL     | LIST PRICE/GRADE | COM/COL | A    | B    | C    | D    | E    | F    | G    | H    | I    | J    | K    | L    |
|----------|-----------|------------------|---------|------|------|------|------|------|------|------|------|------|------|------|------|
| 48" Long | EBFUCL-48 |                  | \$3383  | 3689 | 3900 | 4111 | 4322 | 4533 | 4744 | 4955 | 5166 | 5377 | 5588 | 5799 | 6010 |

W 17.5 L 18.5

COM Yardage: 2.75 yards

For COL requirements please contact Leland Customer Care.



## Ebb Fully Upholstered Bench One Linking End

|          | MODEL     | LIST PRICE/GRADE | COM/COL | A    | B    | C    | D    | E    | F    | G    | H    | I    | J    | K    | L    |
|----------|-----------|------------------|---------|------|------|------|------|------|------|------|------|------|------|------|------|
| 72" Long | EBFUCL-72 |                  | \$4185  | 4566 | 4828 | 5090 | 5352 | 5614 | 5876 | 6138 | 6400 | 6662 | 6924 | 7186 | 7448 |

W 17.5 L 18.5

COM Yardage: 4.25 yards

For COL requirements please contact Leland Customer Care.



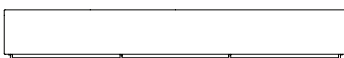
## Ebb Fully Upholstered Bench One Linking End

|          | MODEL     | LIST PRICE/GRADE | COM/COL | A    | B    | C    | D    | E    | F    | G    | H    | I    | J    | K    | L    |
|----------|-----------|------------------|---------|------|------|------|------|------|------|------|------|------|------|------|------|
| 96" Long | EBFUCL-96 |                  | \$4988  | 5469 | 5796 | 6123 | 6450 | 6777 | 7104 | 7431 | 7758 | 8085 | 8412 | 8739 | 9066 |

W 17.5 L 18.5

COM Yardage: 5.5 yards

For COL requirements please contact Leland Customer Care.



## Ebb Fully Upholstered Bench One Linking End

|           | MODEL       | LIST PRICE/GRADE | COM/COL | A    | B    | C    | D    | E    | F    | G    | H    | I    | J    | K     | L     |
|-----------|-------------|------------------|---------|------|------|------|------|------|------|------|------|------|------|-------|-------|
| 120" Long | EBFU-CL-120 |                  | \$5792  | 6369 | 6758 | 7147 | 7536 | 7925 | 8314 | 8703 | 9092 | 9481 | 9870 | 10259 | 10648 |

W 17.5 L 18.5

COM Yardage: 7 yards

For COL requirements please contact Leland Customer Care.

To specify:

Please refer to pages 3-4 for complete specifying information. Specify all products by their product code.

Pricing Effective: January 2025

# EBB FULLY UPHOLSTERED BENCH TWO LINKING ENDS

Design: Mark Gabbartas

# EB7



## Ebb Fully Upholstered Bench Two Linking Ends

|          | MODEL     | LIST PRICE/GRADE | COM/COL | A    | B    | C    | D    | E    | F    | G    | H    | I    | J    | K    | L    |
|----------|-----------|------------------|---------|------|------|------|------|------|------|------|------|------|------|------|------|
| 30" Long | EBFULL-30 |                  | \$2621  | 2841 | 2994 | 3147 | 3300 | 3453 | 3606 | 3759 | 3912 | 4065 | 4218 | 4371 | 4524 |

W 17.5 L 18.5

COM Yardage: 1.75 yards

For COL requirements please contact Leland Customer Care.



## Ebb Fully Upholstered Bench Two Linking Ends

|          | MODEL     | LIST PRICE/GRADE | COM/COL | A    | B    | C    | D    | E    | F    | G    | H    | I    | J    | K    | L    |
|----------|-----------|------------------|---------|------|------|------|------|------|------|------|------|------|------|------|------|
| 48" Long | EBFULL-48 |                  | \$3423  | 3730 | 3942 | 4154 | 4366 | 4578 | 4790 | 5002 | 5214 | 5426 | 5638 | 5850 | 6062 |

W 17.5 L 18.5

COM Yardage: 2.75 yards

For COL requirements please contact Leland Customer Care.



## Ebb Fully Upholstered Bench Two Linking Ends

|          | MODEL     | LIST PRICE/GRADE | COM/COL | A    | B    | C    | D    | E    | F    | G    | H    | I    | J    | K    | L    |
|----------|-----------|------------------|---------|------|------|------|------|------|------|------|------|------|------|------|------|
| 72" Long | EBFULL-72 |                  | \$4232  | 4611 | 4875 | 5139 | 5403 | 5667 | 5931 | 6195 | 6459 | 6723 | 6987 | 7251 | 7515 |

W 17.5 L 18.5

COM Yardage: 4.25 yards

For COL requirements please contact Leland Customer Care.



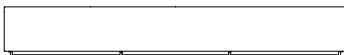
## Ebb Fully Upholstered Bench Two Linking Ends

|          | MODEL     | LIST PRICE/GRADE | COM/COL | A    | B    | C    | D    | E    | F    | G    | H    | I    | J    | K    | L    |
|----------|-----------|------------------|---------|------|------|------|------|------|------|------|------|------|------|------|------|
| 96" Long | EBFULL-96 |                  | \$5034  | 5515 | 5844 | 6173 | 6502 | 6831 | 7160 | 7489 | 7818 | 8147 | 8476 | 8805 | 9134 |

W 17.5 L 18.5

COM Yardage: 5.5 yards

For COL requirements please contact Leland Customer Care.



## Ebb Fully Upholstered Bench Two Linking Ends

|           | MODEL      | LIST PRICE/GRADE | COM/COL | A    | B    | C    | D    | E    | F    | G    | H    | I    | J    | K     | L     |
|-----------|------------|------------------|---------|------|------|------|------|------|------|------|------|------|------|-------|-------|
| 120" Long | EBFULL-120 |                  | \$5838  | 6415 | 6809 | 7203 | 7597 | 7991 | 8385 | 8779 | 9173 | 9567 | 9961 | 10355 | 10749 |

W 17.5 L 18.5

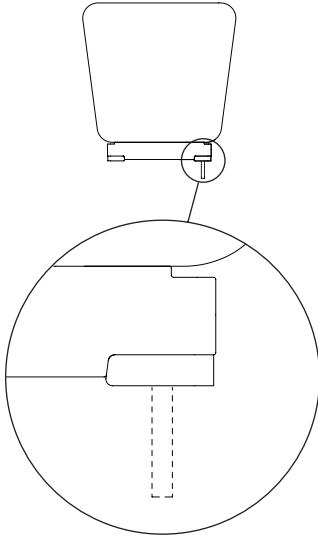
COM Yardage: 7 yards

For COL requirements please contact Leland Customer Care.

To specify:

Please refer to pages 3-4 for complete specifying information. Specify all products by their product code.

Pricing Effective: January 2024



**Ebb Fully Upholstered Bench  
Floor Mount**

|  | MODEL | LIST PRICE |
|--|-------|------------|
|  | FM    | \$281      |

Due to the variety of floor surfaces on which Ebb products may be installed, floor mount fasteners are not supplied by Leland International. The Ebb product floor mount option consists of feet with floor mount brackets designed to use .5" thread diameter fasteners. Responsibility of fastener choice is the customers.

Floor Mount requires a skirt and both must be specified at the time of ordering.

The Floor Mount cannot be added later in the field.



**Ebb Fully Upholstered Bench  
Two Closed Ends Skirt**

|                         | MODEL | LIST PRICE |
|-------------------------|-------|------------|
| Black Powdercoat Finish | SK    | \$176      |

Ebb Fully Upholstered Bench Two Closed Ends Skirt must be specified at the time of ordering.

Skirt cannot be added later in the field.

Linking Ebb Benches come standard with skirt.

To specify:  
Please refer to pages 3-4 for complete specifying information.  
Specify all products by their product code.



## Hub Model

| DESCRIPTION   | CODE  |
|---|-------|
| Ebb Hub, upholstered, one linking end               | EBH1L |
| Ebb Hub, upholstered, two linking ends, 240 degrees | EBH2L |
| Ebb Hub, upholstered, two linking ends, 180 degrees | EBH3L |
| Ebb Hub, upholstered, three linking ends            | EBH4L |

## Upholstery Selection

Please refer to Leland Textile Program which features textiles and leathers from the following partners:

- Camira
- Carnegie
- CF Stinson
- Green Hides
- Maharam
- Unika Vaev

The complete grade list can be found at [www.lelandfurniture.com/resources](http://www.lelandfurniture.com/resources) or you can specify COM/COL. All non pre-approved textiles need to be tested for compatibility.

Due to upholstery requirements, the Ebb product line can only be upholstered railroaded. Please consider when specifying textiles with a pattern. Untested COM or COL textiles will not be accepted.

## Powder Coat Frame Finishes

Ebb Fully Upholstered Hubs have black powder coat skirts.

| DESCRIPTION     | CODE |
|-----------------|------|
| Sterling        | ST   |
| Warm Grey       | WG   |
| Cool Grey       | CG   |
| Black           | B    |
| White           | W    |
| Matte Gold Rush | MGR  |
| Matte Mercury   | MMR  |
| Matte Mineral   | MMN  |
| Matte Burnish   | MBN  |
| Matte Foundry   | MFN  |
| Black Textured  | BT   |
| Grey Textured   | GT   |
| White Textured  | WT   |
| Chrome          | C    |

## Auxiliary Options

Auxiliary Options must be specified at the time of the order.

| DESCRIPTION                           | CODE |
|---------------------------------------|------|
| Ebb Fully Upholstered Hub Floor Mount | FM   |

## Glides

Ebb glides are nylon.

## Product Specification

Ebb layout is required at the quotation stage and order stage to ensure accurate product specifications. Contact Leland Customer Care for CAD drawings.

## Specifications required to create the product code

- Model
- Model
- Upholstery Selection
- Leg Finish
- Floor Mount (when applicable)



### MODEL

Ebb Fully Upholstered Hub - One Linking End (EBH1L)

### UPHOLSTERY SELECTION

Enter upholstery grade, COM or COL. Grade J (J)

### LEG FINISH

Specify Standard Powder Coat

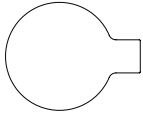
### FLOOR MOUNT

When Applicable, enter Ebb floor mount code



**EBB FULLY UPHOLSTERED HUB**  
Design: Mark Gabbartas

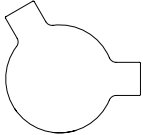
# EB11



| <b>Ebb Fully Upholstered Hub</b> | <b>MODEL</b> | <b>LIST PRICE/GRADE</b> | <b>COM/COL</b> | <b>A</b> | <b>B</b> | <b>C</b> | <b>D</b> | <b>E</b> | <b>F</b> | <b>G</b> | <b>H</b> | <b>I</b> | <b>J</b> | <b>K</b> | <b>L</b> |
|----------------------------------|--------------|-------------------------|----------------|----------|----------|----------|----------|----------|----------|----------|----------|----------|----------|----------|----------|
| One linking end                  | EBH1L        | \$8076                  | 8923           | 9488     | 10053    | 10618    | 11183    | 11748    | 12313    | 12878    | 13443    | 14008    | 14573    | 15138    |          |

DIA 60 EXT 15

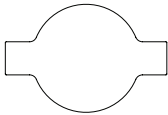
COM Yardage: 5.25 yards  
For COL requirements please contact Leland Customer Care.  
Unit comes with skirt.



| <b>Ebb Fully Upholstered Hub</b> | <b>MODEL</b> | <b>LIST PRICE/GRADE</b> | <b>COM/COL</b> | <b>A</b> | <b>B</b> | <b>C</b> | <b>D</b> | <b>E</b> | <b>F</b> | <b>G</b> | <b>H</b> | <b>I</b> | <b>J</b> | <b>K</b> | <b>L</b> |
|----------------------------------|--------------|-------------------------|----------------|----------|----------|----------|----------|----------|----------|----------|----------|----------|----------|----------|----------|
| Two linking ends, 240 degrees    | EBH2L        | \$8506                  | 9470           | 10105    | 10740    | 11375    | 12010    | 12645    | 13280    | 13915    | 14550    | 15185    | 15820    | 16455    |          |

DIA 60 EXT 15

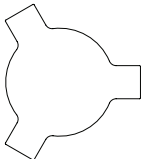
COM Yardage: 5.75 yards  
For COL requirements please contact Leland Customer Care.  
Unit comes with skirt.



| <b>Ebb Fully Upholstered Hub</b> | <b>MODEL</b> | <b>LIST PRICE/GRADE</b> | <b>COM/COL</b> | <b>A</b> | <b>B</b> | <b>C</b> | <b>D</b> | <b>E</b> | <b>F</b> | <b>G</b> | <b>H</b> | <b>I</b> | <b>J</b> | <b>K</b> | <b>L</b> |
|----------------------------------|--------------|-------------------------|----------------|----------|----------|----------|----------|----------|----------|----------|----------|----------|----------|----------|----------|
| Two linking ends, 180 degrees    | EBH3L        | \$8506                  | 9470           | 10105    | 10740    | 11375    | 12010    | 12645    | 13280    | 13915    | 14550    | 15185    | 15820    | 16455    |          |

DIA 60 EXT 15

COM Yardage: 7 yards  
For COL requirements please contact Leland Customer Care.  
Unit comes with skirt.

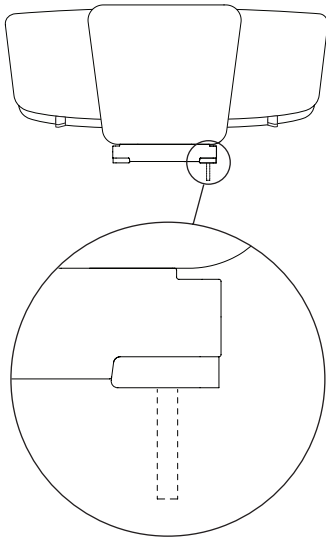


| <b>Ebb Fully Upholstered Hub</b> | <b>MODEL</b> | <b>LIST PRICE/GRADE</b> | <b>COM/COL</b> | <b>A</b> | <b>B</b> | <b>C</b> | <b>D</b> | <b>E</b> | <b>F</b> | <b>G</b> | <b>H</b> | <b>I</b> | <b>J</b> | <b>K</b> | <b>L</b> |
|----------------------------------|--------------|-------------------------|----------------|----------|----------|----------|----------|----------|----------|----------|----------|----------|----------|----------|----------|
| Three linking ends               | EBH4L        | \$8935                  | 10009          | 10710    | 11411    | 12112    | 12813    | 13514    | 14215    | 14916    | 15617    | 16318    | 17019    | 17720    |          |

DIA 60 EXT 15

COM Yardage: 8 yards  
For COL requirements please contact Leland Customer Care.  
Unit comes with skirt.

**To specify:**  
Please refer to pages 9-10 for complete specifying information.  
Specify all products by their product code.



**Ebb Fully Upholstered Hub  
Floor Mount**

**MODEL**

**LIST PRICE**

FM

\$281

Due to the variety of floor surfaces on which Ebb products may be installed, floor mount fasteners are not supplied by Leland International. The Ebb product floor mount option consists of feet with floor mount brackets designed to use .5" thread diameter fasteners. Responsibility of fastener choice is the customers.

Floor Mount requires a skirt and both must be specified at the time of ordering.

The Floor Mount cannot be added later in the field.

**To specify:**

**Please refer to pages 9-10 for  
complete specifying information.**

**Specify all products by their  
product code.**

## Pod Model

| DESCRIPTION               | CODE |
|---------------------------|------|
| Ebb Fully Upholstered Pod | EBH5 |

## Upholstery Selection

Please refer to Leland Textile Program which features textiles and leathers from the following partners:

- Camira
- Green Hides
- Carnegie
- Maharam
- CF Stinson
- Unika Vaev

The complete grade list can be found at [www.lelandfurniture.com/resources](http://www.lelandfurniture.com/resources) or you can specify COM/COL.

Due to upholstery requirements, the Ebb product line can only be upholstered railroaded. Please consider when specifying textiles with a pattern. Untested COM or COL textiles will not be accepted.

## Leg Finish

| DESCRIPTION     | CODE |
|-----------------|------|
| Sterling        | ST   |
| Warm Grey       | WG   |
| Cool Grey       | CG   |
| Black           | B    |
| White           | W    |
| Matte Gold Rush | MGR  |
| Matte Mercury   | MMR  |
| Matte Mineral   | MMN  |
| Matte Burnish   | MBN  |
| Matte Foundry   | MFN  |
| Black Textured  | BT   |
| Grey Textured   | GT   |
| White Textured  | WT   |
| Chrome          | C    |

## Auxiliary Options

Auxiliary Options must be specified at the time of the order.

### SKIRT:

| DESCRIPTION                     | CODE |
|---------------------------------|------|
| Ebb Fully Upholstered Pod Skirt | SK   |

### FLOOR MAT:

| DESCRIPTION                           | CODE |
|---------------------------------------|------|
| Ebb Fully Upholstered Pod Floor Mount | FM   |
| Floor Mount requires Skirt.           |      |

## Glides

Ebb glides are nylon.

## Product Specification

Ebb layout is required at the quotation stage and order stage to ensure accurate product specifications. Contact Leland Customer Experience for CAD drawings.

## Specifications required to create the product code

- Model
- Upholstery Selection
- Leg Finish
- Skirt (when applicable)
- Floor Mount (when applicable)



### MODEL

Ebb Fully Upholstered Pod (EBH5)

### UPHOLSTERY SELECTION

Enter upholstery grade, COM or COL. Grade J (J)

### LEG FINISH

Specify Standard Powder Coat

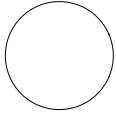
### SKIRT

Skirt (SK)

### FLOOR MOUNT

When applicable, enter Ebb floor mount code. Floor Mount requires Skirt.





| <b>Ebb Fully Upholstered Pod</b> | <b>MODEL</b> | <b>LIST PRICE/GRADE</b> | <b>COM/COL</b> | <b>A</b> | <b>B</b> | <b>C</b> | <b>D</b> | <b>E</b> | <b>F</b> | <b>G</b> | <b>H</b> | <b>I</b> | <b>J</b> | <b>K</b> | <b>L</b> |
|----------------------------------|--------------|-------------------------|----------------|----------|----------|----------|----------|----------|----------|----------|----------|----------|----------|----------|----------|
| No linking end                   | EBH5         | \$7470                  | 8299           | 8850     | 9401     | 9952     | 10503    | 11054    | 11605    | 12156    | 12707    | 13258    | 13809    | 14360    |          |

DIA 54 SH 18.5

COM Yardage: 6 yards

For COL requirements please contact Leland Customer Care.

To specify:

Please refer to pages 13-14 for complete specifying information.

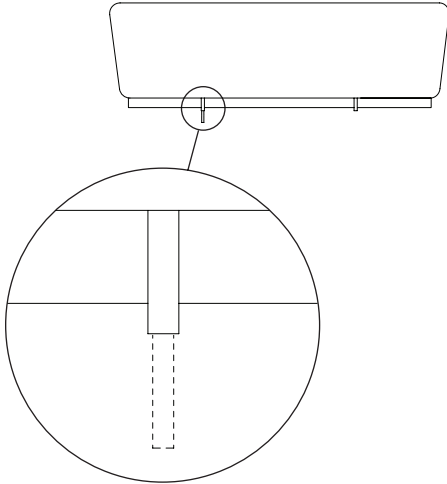
Specify all products by their product code.

Pricing Effective: January 2025

EBB FULLY UPHOLSTERED POD AUXILIARY OPTIONS

Design: Mark Gabbartas

# EB16



**Ebb Fully Upholstered Pod  
Floor Mount**

MODEL  
FM

LIST PRICE  
\$281

Due to the variety of floor surfaces on which Ebb products may be installed, floor mount fasteners are not supplied by Leland International. The Ebb product floor mount option consists of feet with floor mount brackets designed to use .5" thread diameter fasteners. Responsibility of fastener choice is the customers.

Floor Mount requires a skirt and both must be specified at the time of ordering.  
The Floor Mount cannot be added later in the field.



**Ebb Fully Upholstered Pod  
Skirt**

MODEL  
SK

LIST PRICE  
\$176

Black Powdercoat Finish

Ebb Fully Upholstered Pod Skirt must be specified at the time of ordering.  
Skirt cannot be added later in the field.

To specify:  
Please refer to pages 13-14 for complete specifying information.  
Specify all products by their product code.

Pricing Effective: January 2025



---

**5695 Eagle Drive, SE**  
**Grand Rapids,**  
**Michigan 49512**  
**616-975-9260**  
**[lelandfurniture.com](http://lelandfurniture.com)**