

---

LELAND

# Ease

## Specifications & Finishes

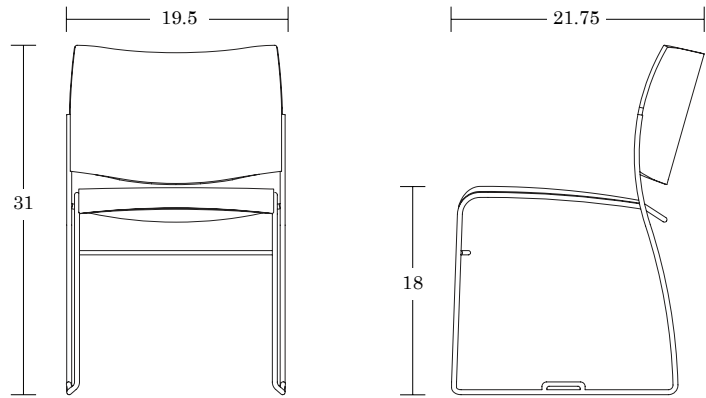


January 2024

# Ease

Side Chair

LELAND



## SPECIFICATIONS

### Veneer Options

Leland Wood Finishes [View transparent](#) / [View semi-transparent](#)

### Upholstered Seat and Back Onlay Options [View here](#)

(Fabric Approval Required)

Camira  
Carnegie  
Stinson  
Green Hides  
Maharam  
Unika Vaev  
COM/COL

### Frame Options [View here](#)

Powder Coat Frame Finishes  
Chrome

### Glide Options

Standard (polycarbonate)  
Felt

### Additional Options

Left or right hand hinged tablet arm (chrome frame) [View here](#)  
Ganging frame

### Features

Load tested to 500+ lbs  
Side chair stacks 6 high on floor  
Transport/Stacking dolly handles up to 25 Ease side chairs in wood

# Ease

LELAND

Transparent Wood Options; *Semi-Gloss Sheen*



Natural  
(11M)



Neutral  
(15M)



Medium  
(13M)



Classic  
Mahogany  
(21M)



White Wash II  
(30M)



Espresso  
(23M)



Transparent  
Black  
(29M)



Graphite  
(25M)

**Quick Links /**  
**[View Side Chair](#)**  
**[View Arm Chair](#)**

For SCS certified wood finishes, please refer to the following document: [SCS Certified Wood Finishes](#)

Due to limitations of the color printing process these finish samples should be considered representative only. For larger finish samples, please contact Leland Customer Experience at (800) 859-7510.

## Wood Finish Options



### SEMI- TRANSPARENT & OPAQUE



Oxford II  
(49M)  
100% Opaque



Dolphin II  
(50M)  
100% Opaque



Blue Sky  
(100M)



Forest  
(101M)



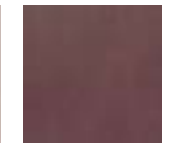
Gravel  
(102M)



Heather  
(103M)



Dawn  
(104M)



Grape  
(105M)



Sienna  
(106M)



Lake Breeze  
(107M)

**Quick Links /**  
**[View Side Chair](#)**  
**[View Arm Chair](#)**

For SCS certified wood finishes, please refer to the following document: [SCS Certified Wood Finishes](#)

Due to limitations of the color printing process these finish samples should be considered representative only. For larger finish samples, please contact Leland Customer Experience at (800) 859-7510.

# Ease

Powder Coat

LELAND



Sterling  
(ST)



Chrome  
(C)



Mercury Textured  
(MRT)



Mineral Textured  
(MNT)



Burnish Textured  
(BNT)



Foundry Textured  
(FNT)



Dolphin Textured  
(DLT)



Oxford Textured  
(OXT)



White Textured  
(WT)



Black Textured  
(BT)



Matte Blue Sky  
(MBS)



Matte Forest  
(MFO)



Matte Sienna  
(MSN)



Matte Willow  
(MWL)

**Quick Links /**  
**[View Side Chair](#)**  
**[View Arm Chair](#)**

**Due to limitations of the color printing process these finish samples should be considered representative only. For larger finish samples, please contact Leland Customer Experience at (800) 859-7510.**

---

# LELAND

**5695 Eagle Drive, SE**  
**Grand Rapids,**  
**Michigan 49512**  
**616-975-9260**  
**[lelandfurniture.com](http://lelandfurniture.com)**