
LELAND

Fixed Table Installation Guide

Requires 2 People

FIXED TABLE INSTALLATION GUIDE



Bar Height Tables



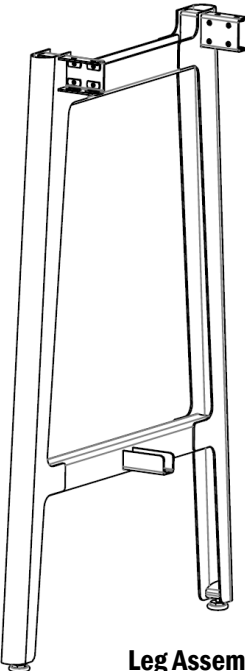
Counter Height Tables

FIXED TABLE INSTALLATION GUIDE: REQUIRES 2 PEOPLE

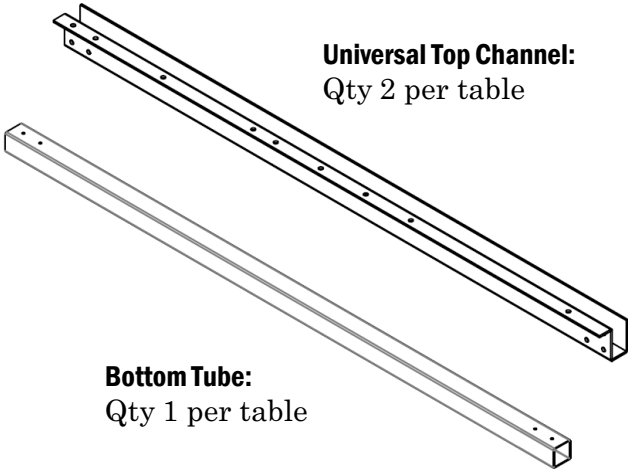
Tools Needed:

- 5/32" Allen Wrench
- #3 Phillips Screwdriver

Parts List:



Leg Assembly:
Qty 2 per table



Universal Top Channel:
Qty 2 per table

Bottom Tube:
Qty 1 per table

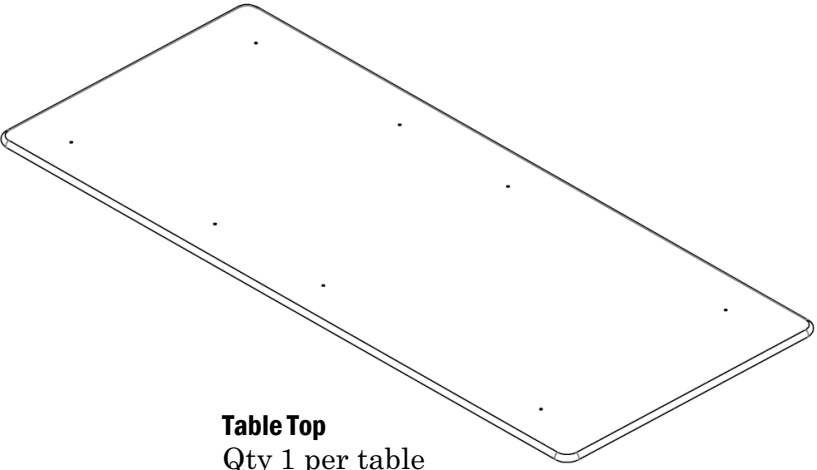


Table Top
Qty 1 per table



1/4-20 x 58" Phillips Head Screw
Qty 8 per table



1/4" Lock Washer
Qty 8 per table

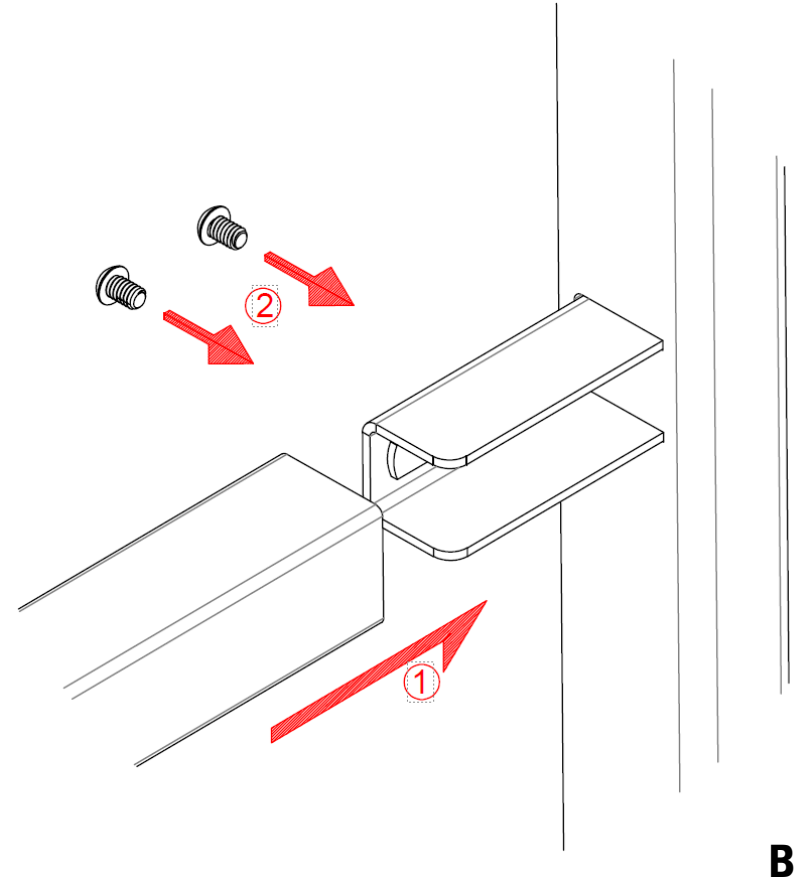
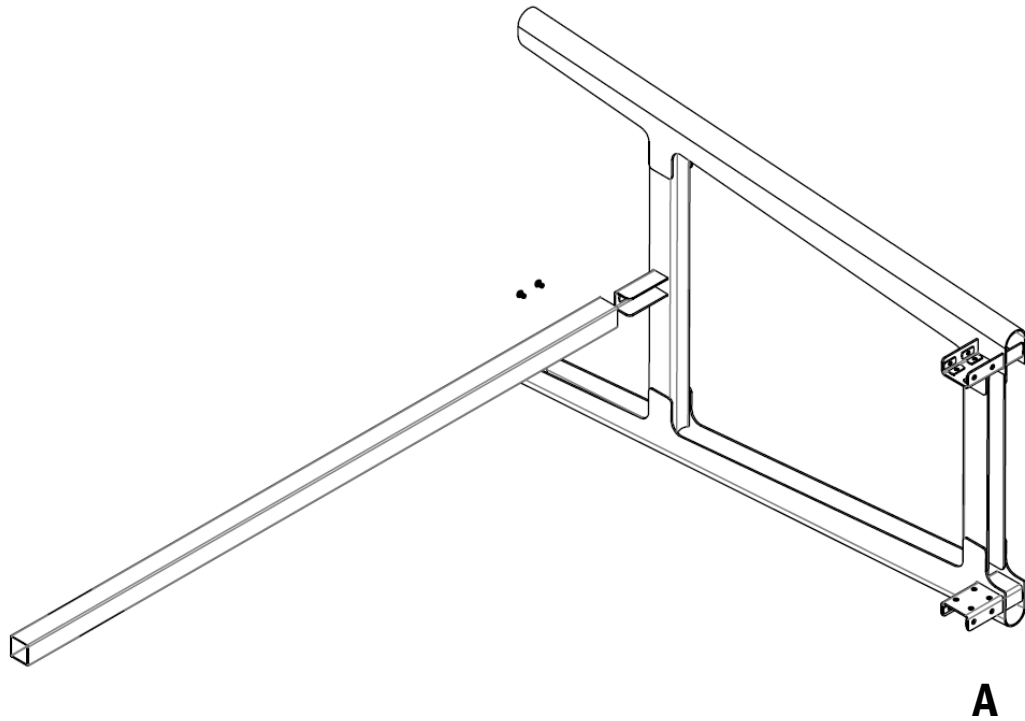


1/4-20 x " Button Head Screw
Qty 28 per table

FIXED TABLE INSTALLATION GUIDE: REQUIRES 2 PEOPLE

STEP 1:

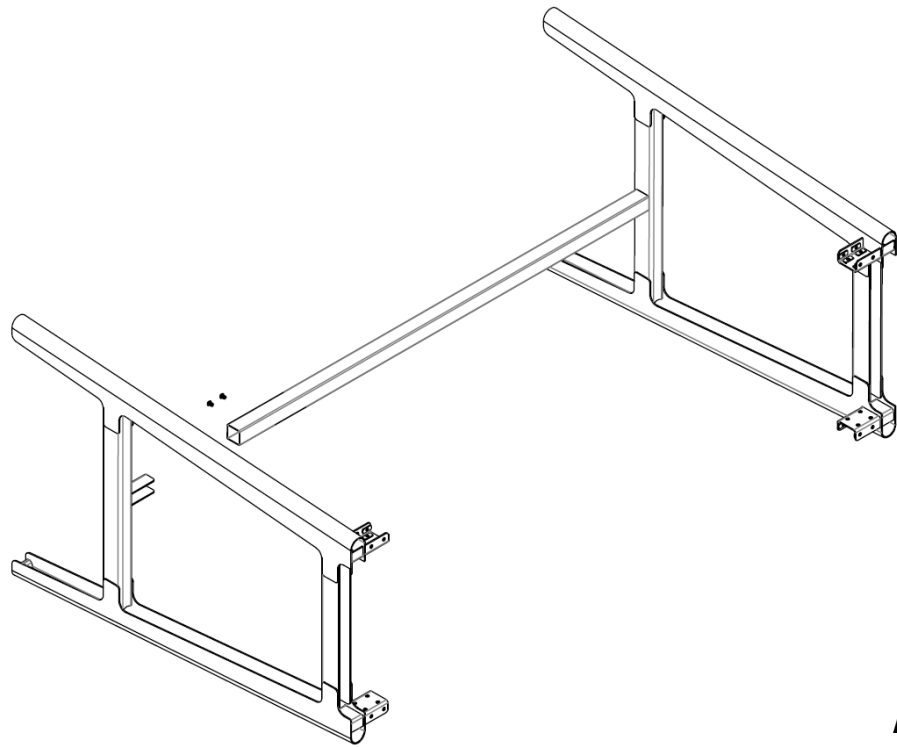
- A. Lay the Leg Assembly on its side. Slide Bottom Tube onto lower extension.
- B. Use (2) of the Button Screws to attach. Tighten screws.



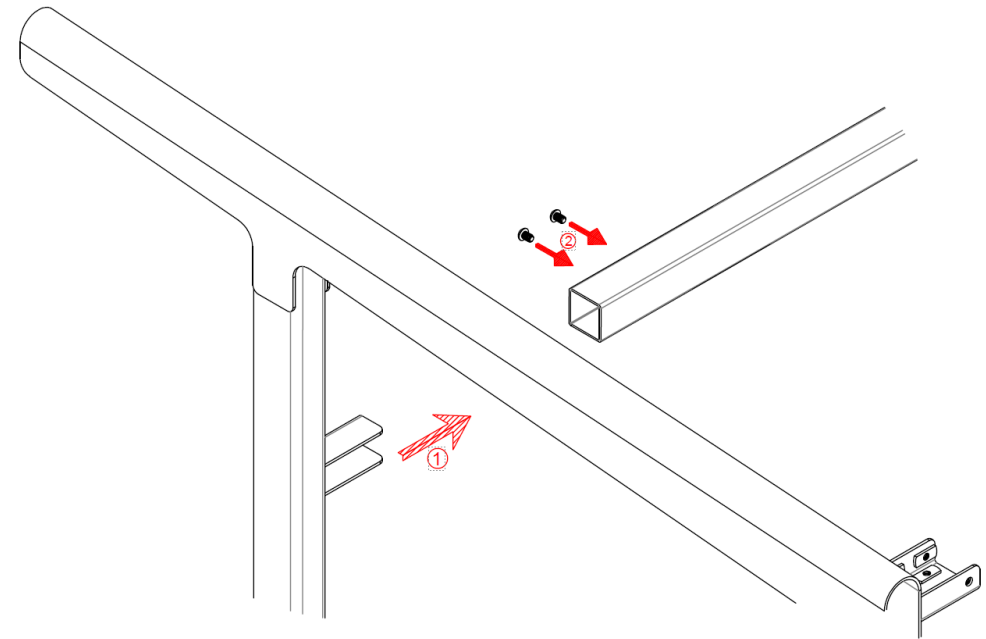
FIXED TABLE INSTALLATION GUIDE: REQUIRES 2 PEOPLE

STEP 2:

- A. Lay the second Leg Assembly on its side with the lower extrusion pointed toward the Bottom Tube from Step 1. Slide Bottom Tube onto lower extension.
- B. Use (2) of the Button Screws to attach. Tighten screws.



A

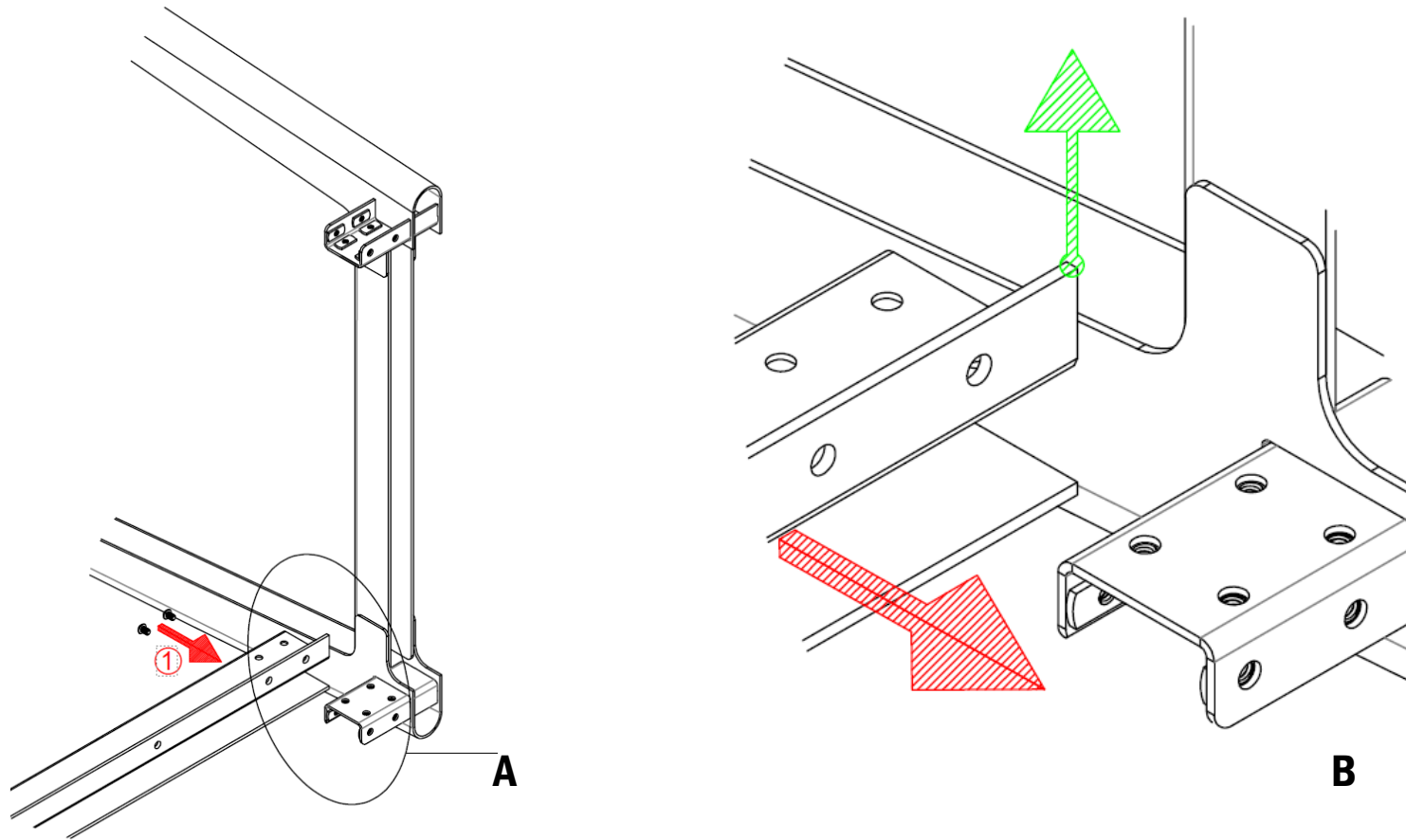


B

FIXED TABLE INSTALLATION GUIDE: REQUIRES 2 PEOPLE

STEP 3:

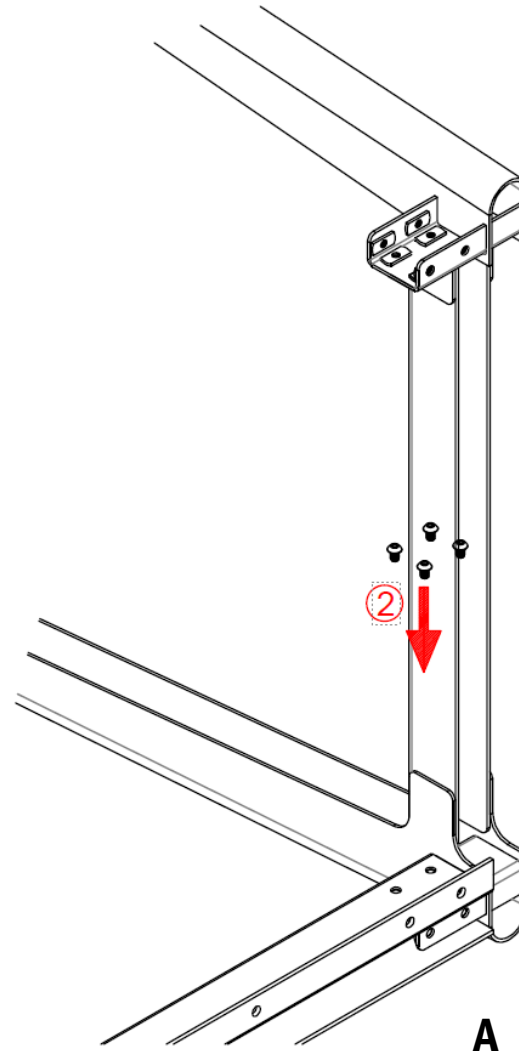
- A. Slide 1 Universal Top Channel onto Lower Leg Extrusion as shown. Take care to have the screw hole flange of the Top Channel pointed up.
- B. Use 2 Button Head Screws to attach the Channel to the Leg. Tighten Screws..



FIXED TABLE INSTALLATION GUIDE: REQUIRES 2 PEOPLE

STEP 4:

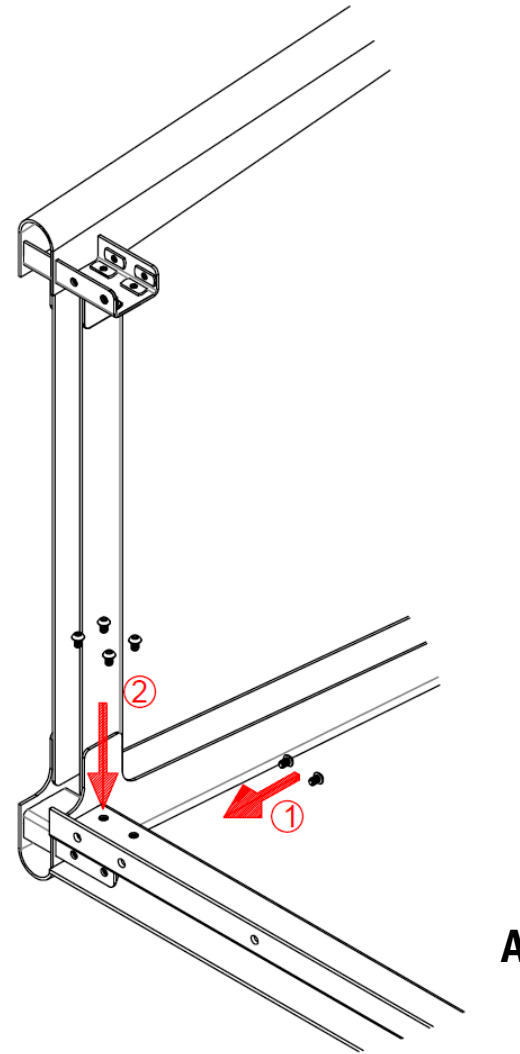
- A. Use 4 Button Head Screws to finish attaching the Channel to the Leg. Do NOT tighten screws completely at this time.



FIXED TABLE INSTALLATION GUIDE: REQUIRES 2 PEOPLE

STEP 5:

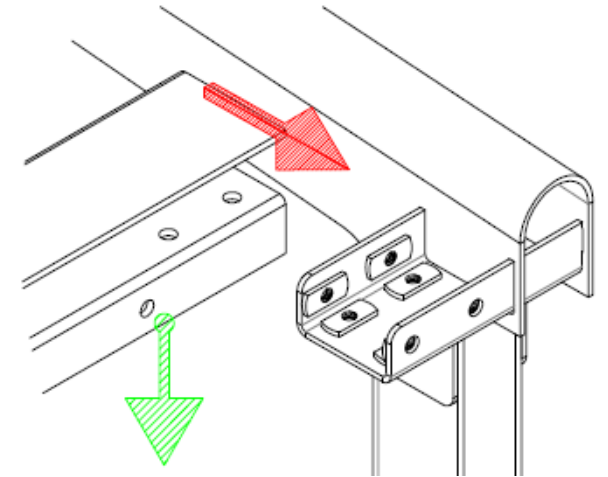
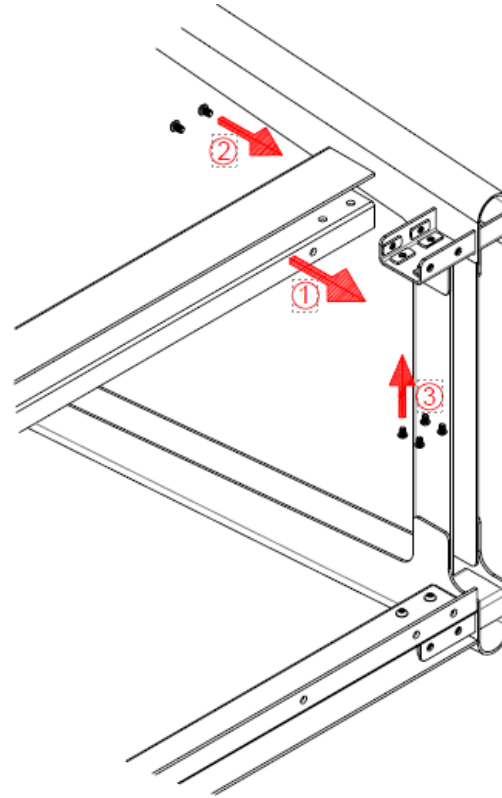
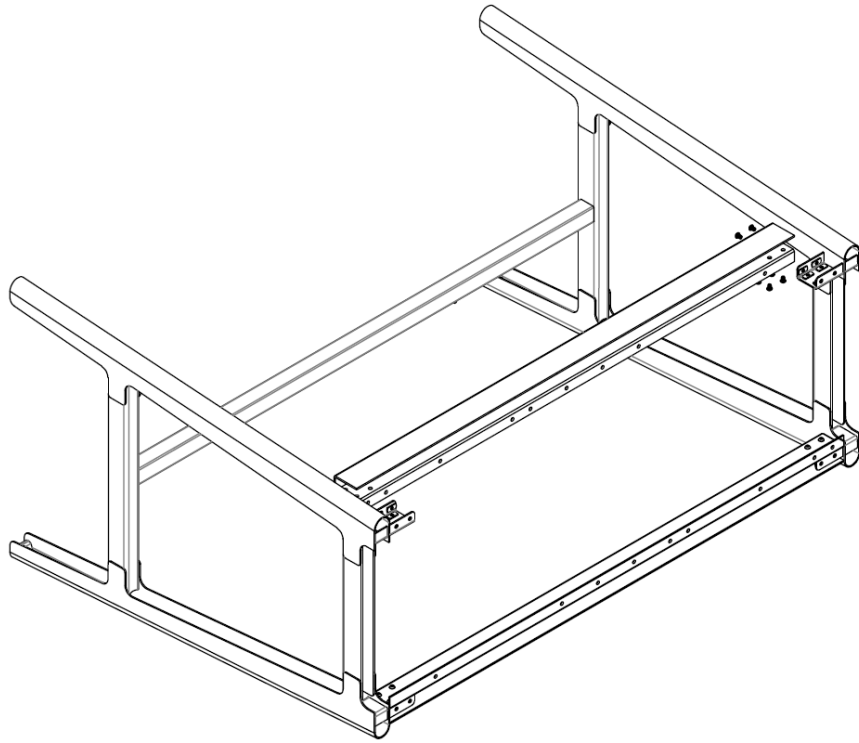
- A. Using 6 Button Head Screws attach the Channel to the opposite Leg. Start with the side using 2 holes, then move to the 4 holes. Tighten ALL screws at this time. Tighten the 4 Screws on the opposite end that were left loose in the previous step.



FIXED TABLE INSTALLATION GUIDE: REQUIRES 2 PEOPLE

STEP 6:

- A. Repeat Steps 3 thru 5, Installing the final Universal Top Channel. Make sure that the screw flange is pointing toward the first Top Channel. Make sure that all screws have been tightened.



FIXED TABLE INSTALLATION GUIDE: REQUIRES 2 PEOPLE

STEP 7:

- A. Place Table Top on a smooth flat surface, bottom side up. Carefully flip the assembled base over and align the screw holes with the threaded inserts in the Table Top. Using (8) 1/4-20x5/8" Phillips Head Screws and (8) Lock Washers, attach the Table Base to the Table Top.

Please contact our customer service team should you experience any issues:

hello@lelandfurniture.com

616.975.9260

