

Pluto

July 2021 Price List



Pluto

Table of Contents	PB2
Specification Information	PB3
Specification Example	PB4
Bench	PB5
Auxiliary Option	PB6

Bench Model

DESCRIPTION	CODE
Pluto	PT

Upholstery Selection

Please refer to Leland Textile Program which features textiles from the following partners:

- Camira
- Carnegie
- CF Stinson
- Green Hides
- Maharam
- Unika Vaev

The complete grade list can be found on our website or you can specify COM/COL. Due to the design of this product, it is recommended that all non pre-approved textile be tested for compatibility.

Upholstery Requirements

With a choice of textile combinations, Pluto encourages design creativity. Please note that requirements vary by combination. The graded price of the combined yardage will be calculated using the highest grade textile selected.

TEXTILE REQUIREMENTS	YARDAGE
One textile, entire bench:	3.25 yards
Two/Three textile combination	
Seat:	1 yard
Top:	1 yard
Side:	1.25 yards

Plinth Finish: Powdercoat and Chrome

DESCRIPTION	CODE
Sterling	ST
Warm Grey	WG
Cool Grey	CG
Black	B
White	W
Matte Gold Rush	MGR
Matte Mercury	MMR
Matte Mineral	MMN
Matte Burnish	MBN
Matte Foundry	MFN
Matte New Penny	MNP
Brushed Chrome	BC

Auxiliary Options

Floor mount must be specified at the time of the bench order.

DESCRIPTION	CODE
Floor mount	PTFM

Glides

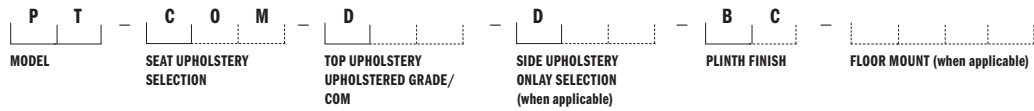
Pluto glides are poly.

Shipment Detail

200 pounds of weight ballast is shipped separately from the Pluto bench and is required to be installed at the final delivery location.

Specifications required to create the product code

- Model
- Seat Upholstery
- Top Upholstery
- Side Upholstery
- Plinth Finish
- Floor Mount (when applicable)



MODEL

Pluto (PT)

SEAT UPHOLSTERY

COM (COM)

TOP UPHOLSTERY

Grade D (D)

SIDE UPHOLSTERY

Grade D (D)

PLINTH FINISH

Brushed Chrome (BC)

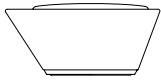
FLOOR MOUNT

When applicable, enter Pluto Floor Mount Code

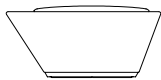


PLUTO BENCH
Design: Simon Pengelly

PB5



Pluto Bench	MODEL	LIST PRICE/ GRADE	COM/COL	A	B	C	D	E	F	G	H	I	J	K	L	
Powder coat plinth	PT-__	Powder Coat	\$1420	1610	1705	1801	1896	1991	2086	2182	2277	2373	2469	2563	2659	
W 34 D 37.75 H 16		COM REQUIREMENTS VARY BY COMBINATION SELECTED.														
		TEXTILE REQUIREMENTS:						YARDAGE								
		One textile, entire bench:						3.25 yards								
		Two/Three textile combination														
		Seat:						1 yard								
		Top:						1 yard								
		Side:						1.25 yards								



Pluto Bench	MODEL	LIST PRICE/ GRADE	COM/COL	A	B	C	D	E	F	G	H	I	J	K	L	
Brushed chrome plinth	PT-BC	Powder Coat	\$1566	1755	1850	1946	2041	2137	2232	2327	2422	2518	2613	2709	2805	
W 34 D 37.75 H 16		COM REQUIREMENTS VARY BY COMBINATION SELECTED.														
		TEXTILE REQUIREMENTS:						YARDAGE								
		One textile, entire bench:						3.25 yards								
		Two/Three textile combination														
		Seat:						1 yard								
		Top:						1 yard								
		Side:						1.25 yards								

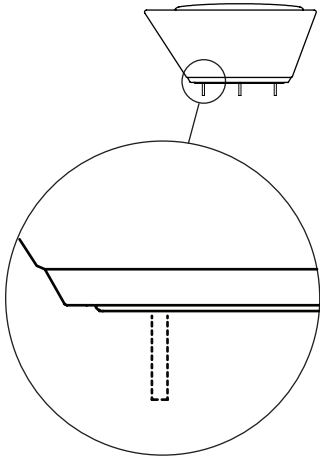
To specify:
Please refer to pages 3-4 for complete specifying information.
Specify all products by their product code.

Pricing Effective: July 2021

PLUTO BENCH AUXILIARY OPTION

Design: Simon Pengelly

PB6



Pluto Floor Mount	MODEL	FRAME FINISH	LIST PRICE
	PTFM	Powder Coat	\$145

Due to the variety of floor surfaces on which the Pluto Bench may be installed, floor mount fasteners are not supplied by Leland International. The Pluto Bench floor mount feature consists of three .5" thru holes designed to use .3125" or .375" threaded studs. Leland International recommends at least 2" of exposed thread length from the floor surface.

Responsibility of fastener choice is the customers.

Floor Mount must be specified at the time of purchasing.

The Floor Mount cannot be added later in the field.

To specify:

Please refer to pages 3-4 for complete specifying information.

Specify all products by their product code.

Pricing Effective: July 2021

5695 Eagle Drive, SE
Grand Rapids,
Michigan 49512
616-975-9260
lelandfurniture.com