

Pluto

April 2020 Price List



Pluto

Table of contents	PB2
Specification Information	PB3
Specification Example	PB4
Bench	PB5
Auxiliary Option	PB6

Bench Model

DESCRIPTION	CODE
Pluto	PT

Upholstery Selection

Please refer to Leland Textile Program which features textiles from the following partners:

- Camira
- Carnegie
- CF Stinson
- Green Hides
- Maharam
- Unika Vaev

The complete grade list can be found at www.lelandfurniture.com/ecatalog or you can specify COM/COL. Due to the design of this product, it is recommended that all non pre-approved textile be tested for compatibility.

Upholstery Requirements

With a choice of textile combinations, Pluto encourages design creativity. Please note that requirements vary by combination. The graded price of the combined yardage will be calculated using the highest grade textile selected.

TEXTILE REQUIREMENTS	YARDAGE
One textile, entire bench:	3.25 yards
Two/Three textile combination	
Seat:	1 yard
Top:	1 yard
Side:	1.25 yards

Plinth Finish: Powdercoat and Chrome

DESCRIPTION	CODE
Sterling	ST
Warm Grey	WG
Cool Grey	CG
Black	B
White	W
Matte Gold Rush	MGR
Matte Mercury	MMR
Matte Mineral	MMN
Matte Burnish	MBN
Matte Foundry	MFN
Matte New Penny	MNP
Brushed Chrome	BC

Auxiliary Options

Floor mount must be specified at the time of the bench order.

DESCRIPTION	CODE
Floor mount	PTFM

Glides

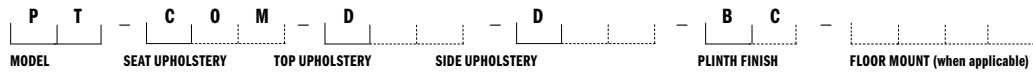
Pluto glides are poly.

Shipment Detail

200 pounds of weight ballast is shipped separately from the Pluto bench and is required to be installed at the final delivery location.

Specifications required to create the product code

- Model
- Seat Upholstery
- Top Upholstery
- Side Upholstery
- Plinth Finish
- Floor Mount (when applicable)



MODEL

Pluto (PT)

SEAT UPHOLSTERY

COM (COM)

TOP UPHOLSTERY

Grade D (D)

SIDE UPHOLSTERY

Grade D (D)

PLINTH FINISH

Brushed Chrome (BC)

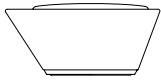
FLOOR MOUNT

When applicable, enter Pluto
Floor Mount Code



PLUTO BENCH
Design: Simon Pengelly

PB5



Pluto Bench	MODEL	LIST PRICE/ GRADE	COM/COL	A	B	C	D	E	F	G	H	I	J	K	L
Powder coat plinth	PT-__	Powder Coat	\$1352	1533	1624	1715	1806	1896	1987	2078	2169	2260	2351	2441	2532

W 34 D 37.75 H 16

COM REQUIREMENTS VARY BY COMBINATION SELECTED.

TEXTILE REQUIREMENTS:

YARDAGE

One textile, entire bench:

3.25 yards

Two/Three textile combination

Seat:

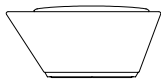
1 yard

Top:

1 yard

Side:

1.25 yards



Pluto Bench	MODEL	LIST PRICE/ GRADE	COM/COL	A	B	C	D	E	F	G	H	I	J	K	L
Brushed chrome plinth	PT-BC	Powder Coat	\$1491	1671	1762	1853	1944	2035	2126	2216	2307	2398	2489	2580	2671

W 34 D 37.75 H 16

COM REQUIREMENTS VARY BY COMBINATION SELECTED.

TEXTILE REQUIREMENTS:

YARDAGE

One textile, entire bench:

3.25 yards

Two/Three textile combination

Seat:

1 yard

Top:

1 yard

Side:

1.25 yards

To specify:

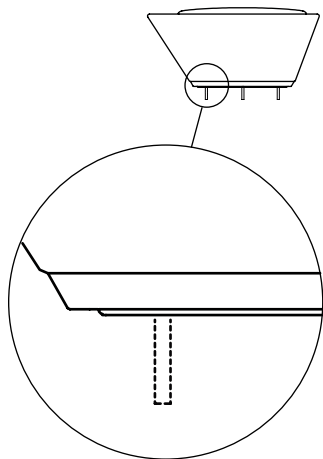
Please refer to pages 3-4 for complete specifying information. Specify all products by their product code.

Pricing Effective: April 2020

PLUTO BENCH AUXILIARY OPTION

Design: Simon Pengelly

PB6



Pluto Floor Mount	MODEL	FRAME FINISH	LIST PRICE
	PTFM	Powder Coat	\$138

Due to the variety of floor surfaces on which the Pluto Bench may be installed, floor mount fasteners are not supplied by Leland International. The Pluto Bench floor mount feature consists of three .5" thru holes designed to use .3125" or .375" threaded studs. Leland International recommends at least 2" of exposed thread length from the floor surface.

Responsibility of fastener choice is the customers.
Floor Mount must be specified at the time of purchasing.
The Floor Mount cannot be added later in the field.

To specify:
Please refer to pages 3-4 for complete specifying information.
Specify all products by their product code.

Pricing Effective: April 2020

5695 Eagle Drive, SE
Grand Rapids,
Michigan 49512
616-975-9260
lelandfurniture.com